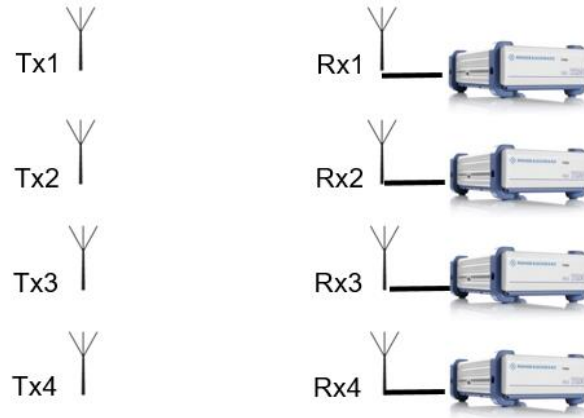


# Assessing a MIMO Channel

## White Paper

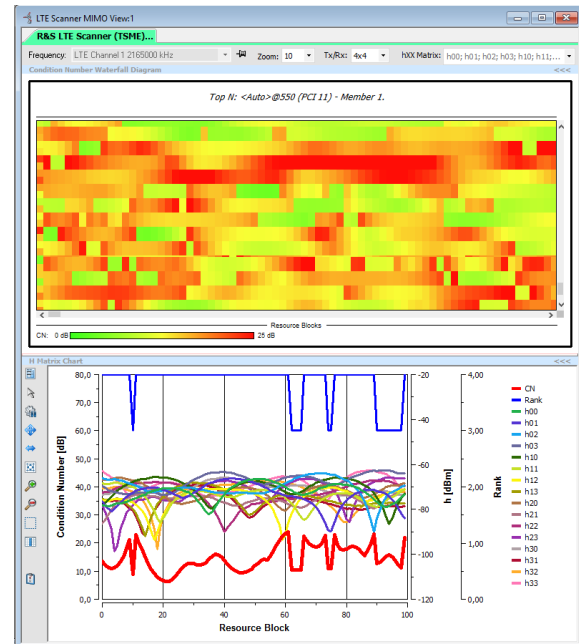


Mobile network operators need to continually upgrade network capacity in order to cope with higher data consumption, keep their subscribers loyal and attract more subscribers from the competition.

MIMO technologies are an essential component of state-of-the-art mobile radio systems and are key to achieving extremely ambitious capacity goals that include providing stable data rates in the two- to three-digit Megabit per second range over a broad coverage area.

However, the effectiveness of these technologies is not always guaranteed. A channel state matrix can provide the information needed to determine whether spatial multiplexing is possible for multilayer data transmission.

The MIMO test solution from Rohde & Schwarz (four R&S@TSME scanners plus R&S@ROMES) measures simple but important indicators like the channel matrix components and calculates the rank and the condition number of the channel matrix. It measures the MIMO feasibility of the environment and estimates the data throughput based on key parameters.



## Contents

<b>1</b>	<b>Introduction .....</b>	<b>3</b>
<b>2</b>	<b>What is MIMO about? .....</b>	<b>4</b>
2.1	Using diversity to improve performance .....	5
2.2	Increasing the peak data rate by spatial multiplexing.....	5
<b>3</b>	<b>Assessing a MIMO channel .....</b>	<b>7</b>
3.1	Description of the 2 x 2 MIMO channel in a matrix .....	7
3.2	Description of the 4 x 4 MIMO channel in a matrix .....	8
3.3	The condition and rank of a matrix .....	9
3.4	Singular value decomposition of a channel matrix .....	10
3.5	Correlation matrix and eigenvalues .....	12
3.6	Channel condition number and channel capacity .....	12
<b>4</b>	<b>Simulated examples.....</b>	<b>14</b>
<b>5</b>	<b>Field measurements in the real LTE network using R&amp;S®TSMx network scanners .....</b>	<b>16</b>
5.1	Condition number and rank measurements .....	16
5.2	Throughput Estimation with LTE MIMO scanner results .....	18
<b>6</b>	<b>Summary.....</b>	<b>20</b>
<b>7</b>	<b>References.....</b>	<b>21</b>

# 1 Introduction

*Multiple input multiple output (MIMO)* technologies are an essential component of state-of-the-art mobile radio systems – such as HSPA+<sup>1</sup> and LTE<sup>2</sup> – and are key to achieving extremely ambitious capacity goals that include providing stable data rates in the two- to three-digit Megabit per second range over a broad coverage area. The use of spatial multiplexing allows the data rates to be multiplied without requiring additional bandwidth or increasing the overall transmit power. However, the effectiveness of these technologies is not always guaranteed. The MIMO channel state information (CSI) can be used to determine whether spatial multiplexing is practicable. For example, under certain circumstances (such as identically polarized radio waves), spatial multiplexing does not bring any benefit with respect to capacity even with a direct line of sight (LOS) between the transmitter and the receiver, while it is of much more benefit in extreme cases of multipath propagation (such as indoor reception).

Assessing the status of a MIMO channel requires a continuous evaluation of complex matrices. Fortunately, relatively simple mathematical indicators, such as the channel rank and condition, can be interpreted for a rapid assessment of the MIMO channel. This paper describes these parameters and interprets them as they relate to the MIMO channel state matrix. The theory is further verified based on examples simulated in the lab as well as actual measurement results from a live LTE mobile radio network.

MIMO 2x2 deployment is standard in LTE. eNodeB antennas are generally dual-polarized (X) offering +45° and -45° polarization for two decorrelated signal paths. When it comes to MIMO 4x4, deployment costs are rapidly increasing with additional cables, antennas and other hardware.

MIMO 4x4 is one of the four main hardware-related features for capacity-enhancement. In addition to MIMO deployment, antenna tilt optimization, carrier aggregation and higher sectorization are other strategies to enhance capacity and throughput. When it comes to business case calculation for LTE sites, the question “Which capacity-enhancing feature is the best?” comes up.

4x4 MIMO is only beneficial if the environment offers sufficient multipath richness. For sure, dense-urban, sub-urban and rural areas will provide different conditions for multipath propagation due to building density and topography, just to mention a few of them. Mobile network operators want to identify those regions and validate the increasingly complex simulations using significant measurement values for evaluation the MIMO performance at a glance.

The application note shows MIMO evaluation in theory and in the field and how R&S® products help optimizing networks with LTE MIMO deployments.

---

<sup>1</sup> High Speed Packet Access

<sup>2</sup> Long Term Evolution

## 2 What is MIMO about?

From a purely technical standpoint, the most important consideration in the specification of mobile data transmission systems is the optimum utilization of the following two transmission characteristics for the mobile radio channel:

1. **Channel Capacity**,  
i.e. the maximum transmittable data rate, measured as bits per second (Bit/s)
2. **Performance**,  
i.e., minimizing the probability of transmission errors (displayed as bit or block error rate, for example)

The (theoretically) maximum channel capacity  $C$  for a channel that is subject to additive white Gaussian noise can be calculated using the bandwidth  $B$  and the effective signal-to-noise ratio (SNR), i.e. the quotient of the received signal power  $S$  and the noise power  $N$ , in accordance with the Shannon-Hartley theorem (refer to [1][4][5][6][10]). The transmission capacity of binary data in bit/s can thus be expressed as follows:

$$C = B \cdot \log_2\left(1 + \frac{S}{N}\right)$$

The available channel bandwidth  $B$  has a directly proportionate effect on the channel capacity and is therefore the deciding factor for achieving the targeted peak data rates. That is why advanced mobile radio systems such as LTE primarily use an increase in bandwidth (10 or 20 MHz, or even up to 100 MHz in the future with LTE-A<sup>3</sup>) to achieve the promised data rates (the goal for LTE-A is a net data rate of 1 Gigabit/s [9]). In comparison: a GSM mobile radio channel occupies about 200 kHz only.

Particularly for mobile radio, the signal-to-noise ratio is a function of the physical distance between the receiver (such as a smart phone) and the base station, and thus is an extremely volatile and location-dependent value. The SNR is decisive for the transmission quality (i.e., performance) and therefore for the actual data throughput in a radio cell.

A thoughtfully designed MIMO system can positively affect these two channel attributes without increasing the bandwidth or transmit signal power: The performance can be improved with transmit and/or receive antenna diversity, while spatial multiplexing will serve to increase the channel capacity. This means that only spatial multiplexing will make the transmission of multilayer data signals possible, leading to a significant increase in the channel capacity. The general calculation of the MIMO channel capacity then becomes very complicated as compared to the above Shannon-Hartley theorem for single input single output (SISO). As a simple rule of thumb, however, the greatest possible MIMO channel capacity for an M-layer data transmission can be estimated as M-times the SISO channel capacity as calculated by Shannon. More detailed calculations are available in [10], among other resources.

---

<sup>3</sup>LTE Advanced

## 2.1 Using diversity to improve performance

Performance can be improved by adding transmit and/or receive antennas. In the case of receive diversity, multiple receive antennas "collect" additional signal power  $S$ . The effective signal-to-noise ratio (SNR) can then be improved by using intelligent signal processing, for example maximum ratio combining (MRC), a process that maximizes the SNR.

Transmit diversity schemes do not necessarily require a response from the receiver (open loop), they are by nature not nearly as effective. So for example, it is under only the absolute best conditions that adding a second transmit antenna will provide an increase in performance of up to 3 dB, or double the effective SNR. The most popular of these methods is based on a space time block coding (STBC) or space frequency block coding (SFBC). These multiple-antenna technologies improve performance in particular with respect to the radio cell boundaries, in other words they effectively increase the size of the radio cell. Although these methods do not increase the channel capacity with respect to the peak data rate, they do improve the effective throughput per radio cell as a result of the improved performance.

If sufficient transmit antennas are available, beam-forming can be used to line up the transmit signal directly with the receiver, providing a particularly effective method of improving the available SNR. Beam-forming makes sense only if the transmitter knows the precise location of the receiver; otherwise, the process will fall short of its objective, both literally and figuratively. Effective tracking of the beam to a mobile radio receiver that is typically in motion requires that a very detailed channel status report for the mobile station be provided to the base station in real time, causing considerable signaling traffic on the reverse link. For this reason, this method is most effective in stationary operation; in other words, for a receiver that moves little or not at all. IEEE 802.11n specifies this method as a "calibration procedure" for WLAN broadband radio.

Refer especially to [2] for more on these concepts and for related algorithms with a focus on commercial mobile radio systems.

## 2.2 Increasing the peak data rate by spatial multiplexing

MIMO is used in conjunction with spatial multiplexing as a way to increase the peak data rate. This method uses additional transmit **and** receive antennas to transmit parallel data streams. As a result, the channel capacity is increased without increasing the bandwidth or the SNR. With an  $M_S \times M_R$  MIMO constellation – where  $M_S$  is the number of transmit antennas and  $M_R$  is the number of receive antennas – the maximum number of spatially separate data streams is defined as  $M = \min\{M_S, M_R\}$ . This means that just like a 2 x 2 MIMO system, a 4 x 2 MIMO system can spatially multiplex a maximum of 2 data layers (i.e. independent data streams). A 4 x 2 MIMO system can in fact do both: It can double the data rate through spatial multiplexing while simultaneously increasing the performance by means of transmit diversity as described in the previous section. Consequently, a 4 x 4 MIMO system has the potential to multiplex 4 data layers in space to quadruplicate the data rate.

It is this spatial multiplexing that makes multiple data layer transmission possible. These methods are truly "MIMO ready" because they allow multiple data streams to be transported simultaneously via the same frequency band, in contrast to the antenna diversity schemes from the previous section that "merely" improve performance.

The question of whether a spatial division of independent data streams actually works depends on the antenna structure (geometry, polarization) and thus on the correlation (a measure of the mutual influence) of the spatially separate signals. Multiband eNodeB antennas currently contain more than five cross polarized antenna systems. This requires a high packing density of the antenna arrays in one box. Due to that fact, that distances between those antenna arrays are around one wavelength, it has to be proven, that the channels are decorrelated enough for the particular deployment scenario. If more distance is desired, additional poles or mounting kits are required, which increase deployment costs. The correlation can be eliminated by means of orthogonal (cross) polarization of the antennas for 2 x 2 MIMO mode, or by ensuring that they are sufficiently far apart (e. g. cross polarized antennas in a certain distance for 4 x 4 mode), although the latter is not easily accomplished in compact terminal equipment.

In addition to antenna systems, network deployments in (dense) urban and rural environments differ in multipath propagation and LOS/NLOS scenarios. Building density and topography will have strong influence on the channel condition and therefore on the profitability of 4 x 4 MIMO.

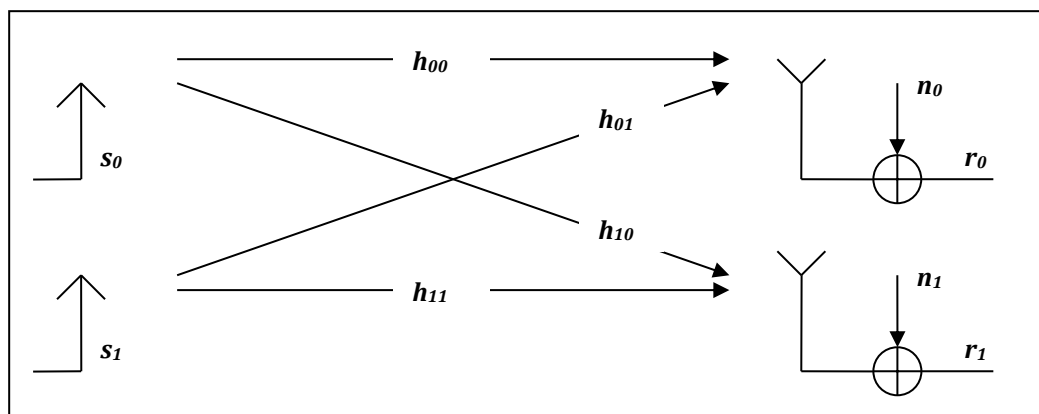
In the end, though, it is the radio channel state that plays the decisive role with respect to MIMO suitability, and so the following section provides a discussion of the channel state based on a 2 x 2 MIMO and a 4 x 4 MIMO channel.

### 3 Assessing a MIMO channel

An appropriate mathematical model is needed to assess the MIMO characteristics of a mobile radio channel. The simplified model consists essentially of a set of linear equations. The transmit and receive antennas are represented by a transmit and a receive signal vector, respectively. The actual transmission characteristic, or the current channel state, is summarized in a matrix. It is this channel state matrix that is useful in assessing the MIMO channel, and therefore is described further here.

#### 3.1 Description of the 2 x 2 MIMO channel in a matrix

OFDM divides the used signal bandwidth  $B$  into narrow-band sub channels whose bandwidth  $\Delta f$  (e.g. 15 kHz for LTE) does not exceed the coherency bandwidth  $B_c$  of the mobile radio channel under consideration. Under this restriction, the transmitted signal is merely distorted by a non-frequency-selective attenuation and phase shift (commonly known as *flat fading*), which corresponds mathematically to multiplication by a complex number. If this complex transmission coefficient is calculated for every OFDM sub channel in the receiver – for example, based on known reference or pilot signals – one-tap equalization can be achieved by multiplying every sub channel with the inverse of its transmission coefficient. However, the signal is still affected by the unavoidable, additive overlay of thermal noise and inband radio interference, making it difficult to determine the transmission coefficients exactly and in fact providing only a certain degree of accuracy. This is one of the main reasons why the process of determining these transmission coefficients is called **channel estimation**.



**Figure 1: 2 x 2 MIMO transmission model**

During spatial multiplexing for the purpose of increasing the transmission capacity, multiple data layers are transmitted simultaneously in the same frequency range via multiple transmit antennas to multiple receive antennas. In the simplest scenario, two data streams are transmitted via two transmit antennas to two receive antennas (see *Figure 1*). In contrast to SISO, this generates 4 individual transmission paths, each with one complex transmission coefficient (per OFDM sub channel). The resulting 2 x 2 MIMO transmission channel can be represented mathematically as a 2 x 2 matrix with 4 complex-valued matrix elements. Each of the two receivers estimates two of the channel matrix elements based on known pilot or reference signals.

This 2 x 2 MIMO transmission as shown in *Figure 1* can be described with two linear equations:

$$\begin{aligned} r_0 &= h_{00} \cdot s_0 + h_{01} \cdot s_1 + n_0 \\ r_1 &= h_{10} \cdot s_0 + h_{11} \cdot s_1 + n_1 \end{aligned}$$

where  $s_j$  is the transmit signal from the  $j$ -th transmit antenna and  $r_i$  is the receive signal at the  $i$ -th receive antenna. The factors  $h_{ij}$  identify the complex transmission coefficient from the  $j$ -th transmit antenna to the  $i$ -th receive antenna.  $n_i$  reflects the additive noise in the  $i$ -th receiver. In matrix format, this is represented as follows:

$$\begin{pmatrix} r_0 \\ r_1 \end{pmatrix} = \begin{pmatrix} h_{00} & h_{01} \\ h_{10} & h_{11} \end{pmatrix} \cdot \begin{pmatrix} s_0 \\ s_1 \end{pmatrix} + \begin{pmatrix} n_0 \\ n_1 \end{pmatrix}$$

or, in short form:

$$\mathbf{r} = \mathbf{H} \cdot \mathbf{s} + \mathbf{n}$$

It is the receiver's job is to solve this equation. The receive vector  $\mathbf{r}$  is known and the transmit vector  $\mathbf{s}$  must be determined. To solve the equation, the channel matrix  $\mathbf{H}$  must be estimated. To demonstrate, the transmission coefficients  $h_{ij}$  can be interpreted with  $i \neq j$  as crosstalk.

The solvability of this equation can be assessed using the channel matrix. If the equation is "satisfactorily" solvable, then this channel can be used for multilayer signal transmission. If the equation is unsolvable or only unsatisfactorily solvable, then the use of spatial multiplexing makes no sense for this channel. The answer to this question determines the condition and rank of this matrix.

### 3.2 Description of the 4 x 4 MIMO channel in a matrix

In the same manner the 4 x 4 MIMO channel model is the basis of the assessment of a 4 x 4 MIMO channel, as depicted in *Figure 2*. Now 4 transmit signals find their way across 16 (!) possible paths towards 4 receivers, which creates a 4 x 4 channel matrix  $\mathbf{H}$ . Thus, the 4 x 4 MIMO transmission will be described by 4 linear equations, which we do not want to discuss in detail here, since the math principles are the same as discussed in the 2 x 2 MIMO case. Still, the rank and condition of this matrix are strong indicators whether the measured MIMO channel is suitable for MIMO operation, either transmit/receive diversity or spatial multiplexing. The mathematical representation of the 4 x 4 channel model as depicted in *Figure 2* is given as:

$$\begin{pmatrix} r_0 \\ r_1 \\ r_2 \\ r_3 \end{pmatrix} = \begin{pmatrix} h_{00} & h_{01} & h_{02} & h_{03} \\ h_{10} & h_{11} & h_{12} & h_{13} \\ h_{20} & h_{21} & h_{22} & h_{23} \\ h_{30} & h_{31} & h_{32} & h_{33} \end{pmatrix} \cdot \begin{pmatrix} s_0 \\ s_1 \\ s_2 \\ s_3 \end{pmatrix} + \begin{pmatrix} n_0 \\ n_1 \\ n_2 \\ n_3 \end{pmatrix}$$



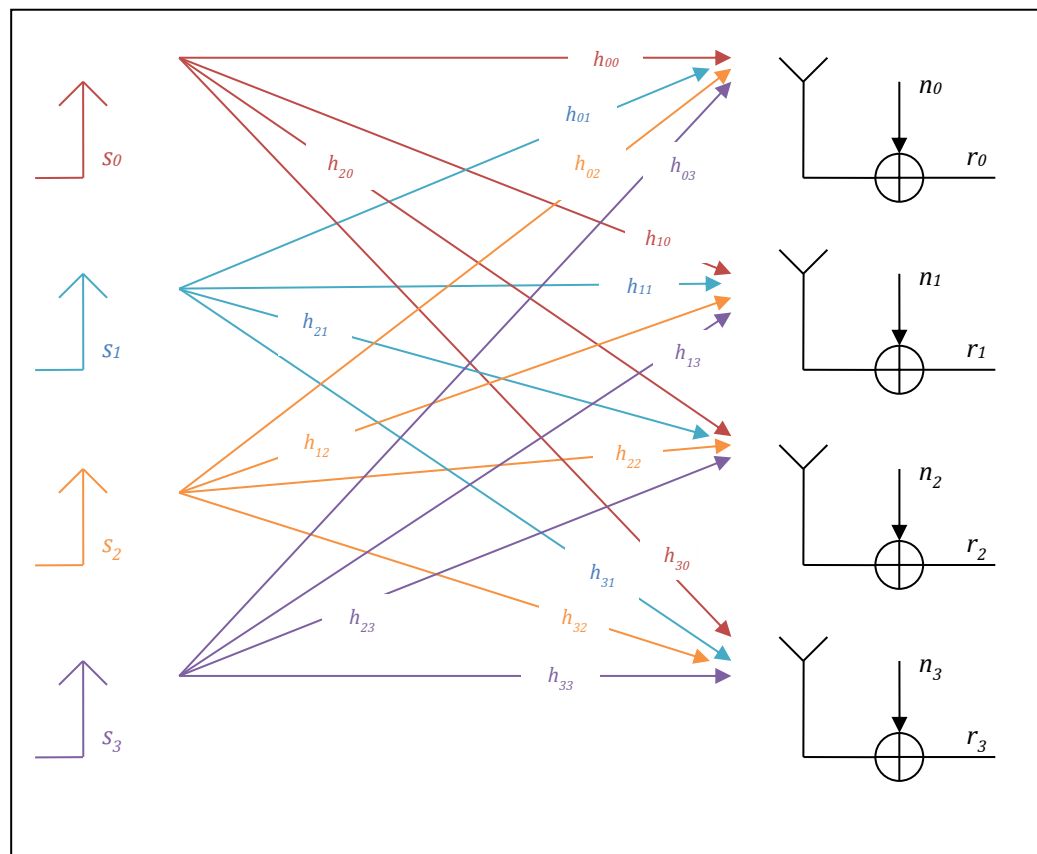


Figure 2: 4 x 4 MIMO transmission model

### 3.3 The condition and rank of a matrix

The mathematical concept of **condition** characterizes how sensitive the solution to a problem is to imprecise or faulty input data. For example, the **condition of a matrix** is an indicator of how well the linear equation that is described with this matrix can be solved. Translated to the problem discussed here of multilayer signal transmission via a MIMO channel, the receiver detects the actual transmit signal via the estimated channel matrix. However, the receive signal – that is, the input values for the equation to be solved – is disrupted by at least additive noise. The possible receive quality, i.e. how reliably the multilayer transmit signal could be reconstructed, is thus dependent on the condition of the channel matrix. A well-conditioned channel matrix allows reliable multilayer reception. An ill-conditioned matrix prevents this or at the very least makes it difficult.

As a result, a calculation of the condition for the estimated channel matrix provides an important indication of whether of the MIMO channel under consideration can be spatially multiplexed. The general definition of the condition of a matrix is based on its singular values described in the next section.

The condition or **condition number  $\kappa(H)$  (CN)** of matrix  $H$  is calculated as follows:

$$\kappa(\mathbf{H}) = \frac{\sigma_{max}}{\sigma_{min}} \geq 1$$

where  $\sigma_{max}$  is the largest singular value and  $\sigma_{min}$  is the smallest singular value in matrix  $\mathbf{H}$ .

The rank of this matrix is the number of singular values not equal to zero. The rank of the channel matrix is thus an indicator of how many data streams can be spatially multiplexed on the MIMO channel.

The rank and condition of a channel matrix also exist for every possible matrix dimension and thus for every possible MIMO constellation! This means that these parameters can be used to characterize not only 2 x 2 MIMO channel states, but also 4 x 2, 4 x 4 or even 8 x 8 MIMO constellations! Thus, all kinds of MIMO configurations we can expect in mobile communications next, can be assessed by these figures.

The following section explains what the rank and condition of the channel matrix say about the suitability of the channel for spatial multiplexing based on the singular value decomposition of a matrix.

### 3.4 Singular value decomposition of a channel matrix

For the purpose of singular value decomposition (SVD) of the 2 x 2 channel matrix,  $\mathbf{H}$  is formulated as follows [1]:

$$\mathbf{H} = \mathbf{U} \cdot \mathbf{\Sigma} \cdot \mathbf{V}^H$$

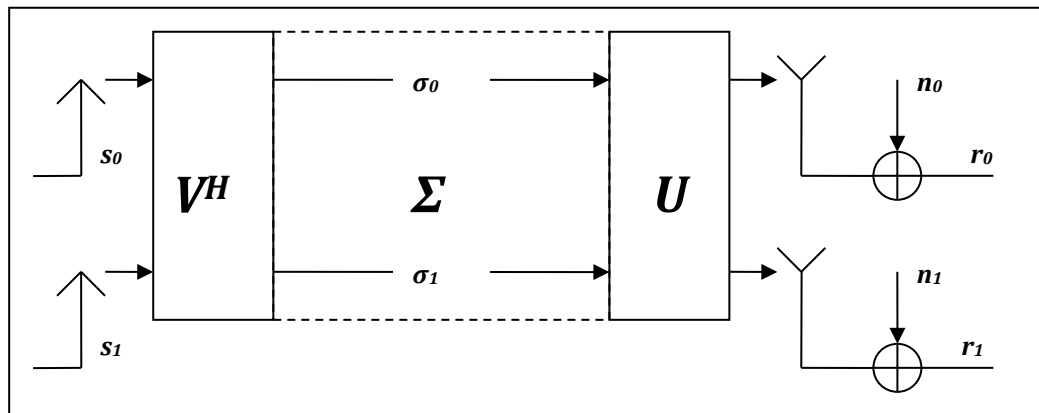
The columns in matrix  $\mathbf{U}$  and  $\mathbf{V}$  are defined by the eigenvectors of  $\mathbf{H}\mathbf{H}^H$  and  $\mathbf{H}^H\mathbf{H}$ , respectively, i.e. they can be calculated purely from the channel matrix ( $\mathbf{H}^H$  represents the Hermitian matrix of  $\mathbf{H}$ , i.e. the conjugate transpose of complex matrix  $\mathbf{H}$ ). Matrix  $\mathbf{\Sigma}$  contains only the singular values  $\sigma_i$  from channel matrix  $\mathbf{H}$  on the principle diagonal and is otherwise 0; that is, it applies for a 2 x 2 channel matrix  $\mathbf{H}$ :

$$\mathbf{\Sigma} = \begin{pmatrix} \sigma_0 & 0 \\ 0 & \sigma_1 \end{pmatrix}$$

As shown in *Figure 3*, the singular value decomposition of the channel matrix can be seen as the separation of the MIMO channel into two crosstalk-free transmission channels with transmission coefficients  $\sigma_0$  and  $\sigma_1$ ; in other words, it is split into two virtual, parallel SISO channels. In accordance with the Shannon-Hartley theorem, each of these virtual SISO channels will contribute to the total capacity of the MIMO channel as long as transmission coefficient  $\sigma_i$  is a sufficiently large value, i.e., as long as sufficient "spatial" power is transmitted.

This type of singular value decomposition of the channel matrix makes a more appropriate model possible for signal transmission via the MIMO channel: Transmit signal vector  $\mathbf{s}$  is first transformed using matrix  $\mathbf{U}$  into the orthogonal space expanded by  $\mathbf{\Sigma}$ . The transformed signal vector components are transmitted via singular value matrix  $\mathbf{\Sigma}$ . Matrix  $\mathbf{V}$  is then used for the reverse transformation to the original signal vector space. As a result, the crosstalk does not "disappear" from the signal path in this

transformed model, but rather is simply hidden away in transformation matrices  $\mathbf{U}$  and  $\mathbf{V}$ .



**Figure 3: Singular value decomposition of a 2 x 2 MIMO transmission channel**

On the one hand, this interpretation of the singular value decomposition makes it clear that the number of data streams being multiplexed cannot exceed the number of adequately sized singular values in the channel matrix – in other words, the rank of the channel matrix is the deciding indicator in this respect. On the other hand, the optimal scenario for spatial multiplexing would probably be if the magnitudes of all singular values (the two singular values  $\sigma_0$  and  $\sigma_1$  in our 2 x 2 example) were approximately equal. If one of these values is much greater than the other, it becomes very difficult to decode the "weaker" path so that it is still usable. This underscores the importance of the ratio of the singularity values to one another, which brings us back to the condition number for the channel matrix again. The closer the ratio between the largest and the smallest singular value – so in other words the condition number for the matrix – is to 1, the better suited the MIMO channel is for spatial multiplexing. And the larger this condition number is for the channel matrix, the less sense that multilayer transmission makes. For the sake of completeness, it must be said that this singular value decomposition, and thus the determination of the rank and condition of the MIMO channel matrix, can also be performed for higher order multiple antenna constellations – although the effort required for the calculations rises significantly.

Rank and condition number are very descriptive parameters:

- A rank of 1 means, that MIMO does not work at all, it is only possible to use a single spatial layer.
- The rank is equal to two, if we are in an ideal MIMO 2x2 environment. The MIMO channel is split into two virtual, parallel SISO channels. Condition number and rank give the same information. In the case of an ideal MIMO 2x2 channel, the condition number is 0 dB.
- In the ideal 4 x 4 MIMO case, the rank would be 4 and the singular value decomposition would deliver 4 singular values which would split the MIMO channel into four virtual, parallel SISO channels (*Figure 4*). Again, a good condition of the matrix is desirable; priority is on the rank value. If MIMO is possible (rank  $\geq 2$ ), the condition number has to be considered, which allows a conclusions on the MIMO quality in a certain environment.

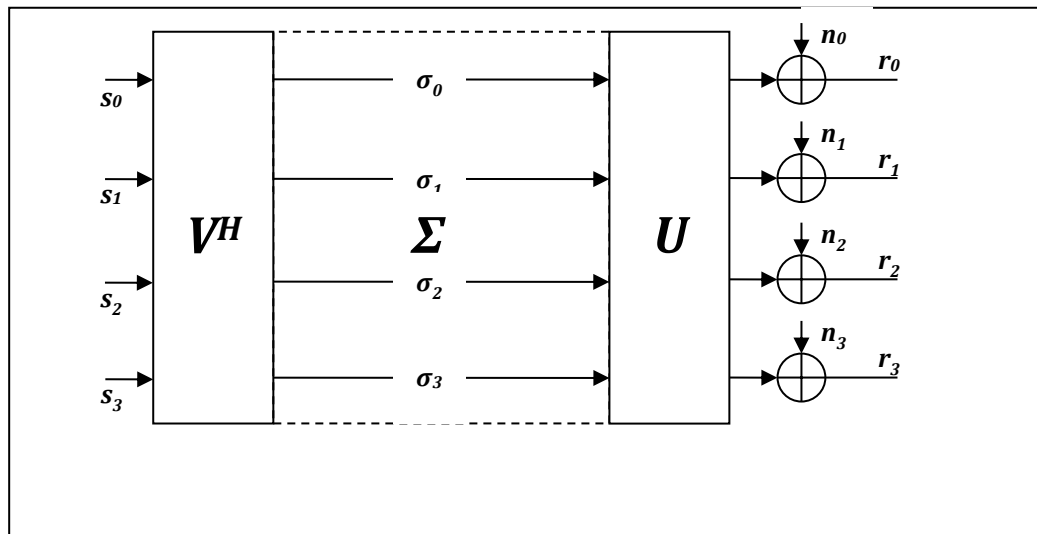


Figure 4: Singular value decomposition of a 4 x 4 MIMO transmission channel

### 3.5 Correlation matrix and eigenvalues

If one assumes – perfectly valid in flat fading conditions – a stable radio channel over time, at least for the duration of an estimation period, along with purely additive and normally distributed distortions, then the singular values  $\sigma_i$  from a matrix  $\mathbf{H}$  will equal the square root of the eigenvalues  $\lambda_i$  of the associated correlation matrix  $\mathbf{H}^H\mathbf{H}$ ; in other words,  $\sigma_i^2 = \lambda_i$  applies [10]. This means that it is also possible to determine the rank and condition number of the channel matrix using eigenvalue decomposition.

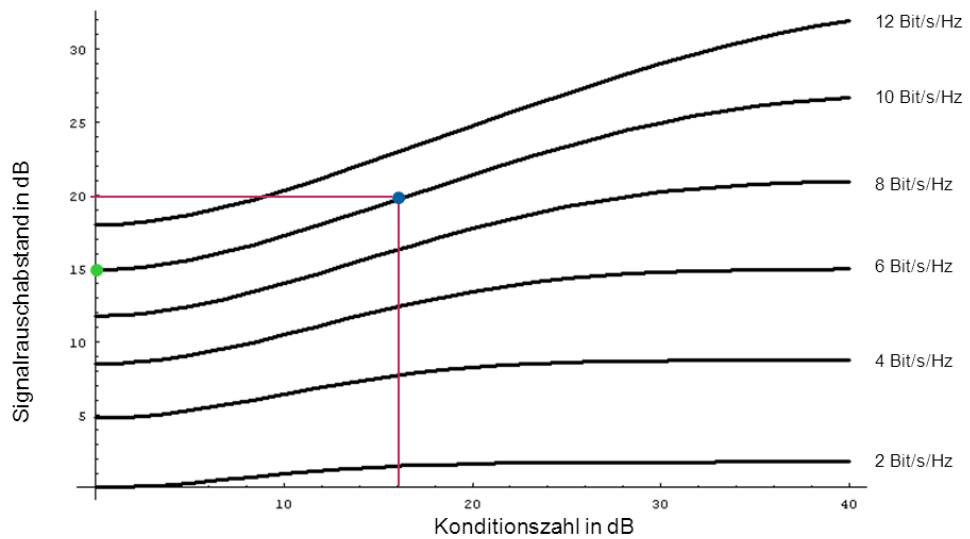
Practically, the condition number CN is given in logarithmic form as follows:

$$CN/dB = 20 \cdot \log_{10}\kappa(\mathbf{H}) = 20 \cdot \log_{10} \frac{\sigma_{max}}{\sigma_{min}} = 10 \cdot \log_{10} \frac{\lambda_{max}}{\lambda_{min}} \geq 0dB$$

### 3.6 Channel condition number and channel capacity

The Shannon-Hartley theorem states that the bandwidth and SNR are the deciding factors with respect to channel capacity. However, as illustrated in Figure 5, the condition of the channel state matrix is also a contributing factor in MIMO operation. For example, assuming a spectral efficiency of 10 bit/s/Hz, a condition number of 0 dB would require a SNR of 15 dB. This increases to approx. 20 dB if the condition number worsens to approx. 16 dB. In MIMO operation, therefore, it is not sufficient to consider SNR only when assessing the channel capacity. It is just as important to look at the condition of the MIMO channel status matrix.

Figure 5 clearly shows the capacity improvements possible with MIMO. A well-conditioned MIMO channel state matrix will provide a high spectral efficiency even at low SNRs. The theoretical foundation for Figure 5 is found in [10].



**Figure 5: Signal-to-noise ratio and condition number**

Figure 5 also illustrates that the “positive” effect of the condition number will disappear at a spectral efficiency of e.g. 4 bit/s/Hz and an SNR of about 20 dB, or at a spectral efficiency of only 2 bit/s/Hz when the SNR is around 15 dB. This is why in real-world operation, logarithmic condition numbers of 0 – 10 dB are considered to be very good, while any channel with a condition number above 20 dB is considered to be unusable for MIMO.

## 4 Simulated examples

Take for example the purely theoretical case of a channel matrix with zero crosstalk; in other words, two parallel SISO channels:

$$\mathbf{H} = \begin{pmatrix} 1 & 0 \\ 0 & 1 \end{pmatrix}$$

The equation is very simple:

$$\begin{aligned} r_0 &= s_0 + n_0 \\ r_1 &= s_1 + n_1 \end{aligned}$$

The two singular values  $\sigma_{\max}$  and  $\sigma_{\min}$  in this matrix are 1. This returns a rank of 2 and a condition number of 1 (logarithmic 0 dB), making it, as expected, an ideal candidate for spatial multiplexing. However, this is a theoretical best-case scenario that would never occur on a real mobile radio channel.

A second extreme theoretical scenario is completely plausible: A phase-equivalent, symmetrical division of the signal power from one transmit antenna to both receive antennas; in other words, the worst-case crosstalk scenario. Something close to this scenario is seen when a direct, unobstructed LOS exists between a base station and the mobile station. For this scenario,  $\mathbf{H}$  is as follows:

$$\mathbf{H} = \begin{pmatrix} 1/\sqrt{2} & 1/\sqrt{2} \\ 1/\sqrt{2} & 1/\sqrt{2} \end{pmatrix}$$

The square values of two matrix elements always add up to 1, i.e. the power from one transmit antenna is divided, with one half going to a direct component and the other half to a crosstalk component. With singular value decomposition, this results in a  $\sigma_{\max}$  value of  $\sqrt{2}$  and a  $\sigma_{\min}$  value of 0. The rank of this channel matrix is 1, and a condition number is either undefined or approaches infinity as a result of the division by zero. In other words, an unobstructed LOS between the transmitter and the receiver is not suited to spatial multiplexing! This is because the receive antenna is not capable of separating the two transmit signals. Does this make MIMO impractical along an open highway, for example?

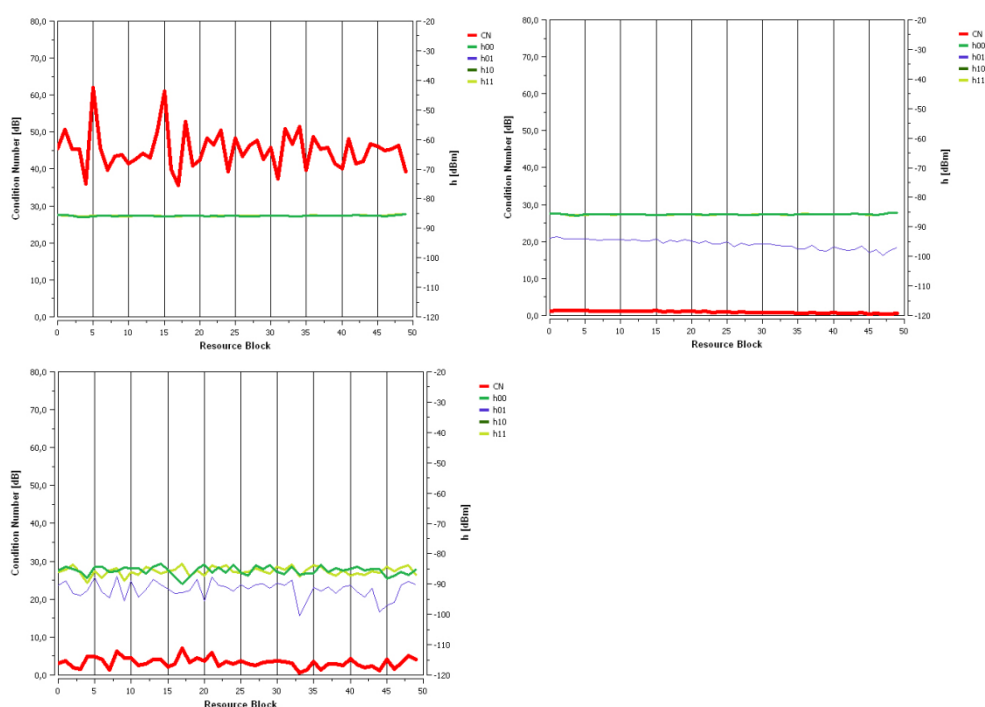
To answer this question, consider a third example based on the same scenario: The signal power to the receive antennas is divided symmetrically. In this case, however, the crosstalk signals are phase-shifted by 90°, as would occur with a longer transmission path, for example. The channel matrix would be as follows:

$$\mathbf{H} = \begin{pmatrix} 1/\sqrt{2} & j \cdot 1/\sqrt{2} \\ j \cdot 1/\sqrt{2} & 1/\sqrt{2} \end{pmatrix}$$

This orthogonality of the direct component and the crosstalk component makes it easy for the receiver to separate the two transmit signals. This is once again reflected in the singular values  $\sigma_{\max}$  and  $\sigma_{\min}$  for this channel matrix. As in the first example, these are both 1, but in this case the condition number is also 1, making the channel ideal for spatial multiplexing.

It is relatively easy to create orthogonal crosstalk paths by using cross-polarized antennas, allowing spatial multiplexing to be used successfully even with an unobstructed LOS between the base and mobile station. This cross-polarization is widely used in commercial mobile radio networks, and is almost mandatory for successful MIMO operation, as illustrated here!

Figure 6 shows condition number results from the lab using coverage measurement equipment from Rohde & Schwarz. The measurements show a 10 MHz LTE signal for which the condition number per resource block (equal to 180 kHz) is determined and displayed graphically (red line). The graph at the upper left shows the discussed worst case with the maximum, phase-synchronous crosstalk and a correspondingly unfavorable condition number of greater than 40 dB. The graph at the upper right shows an essentially perfect condition number of 0 dB over the entire signal bandwidth with an orthogonal crosstalk (for example, created using cross-polarized antennas and a direct LOS). In both examples, the simulated SNR was greater than 20 dB. In the third measurement graph at the bottom left, the SNR was reduced to 10 dB. However, the measured condition number remains in the acceptable range of under 10 dB.



**Figure 6: Measurement results for the condition number**

A final, more realistic, example includes a dominant direct component  $h_{ii}$ , but with measurable crosstalk  $h_{ij}$ .  $\mathbf{H}$  is defined as

$$\mathbf{H} = \begin{pmatrix} 0.9 + 0.1j & 0.2 - 0.3j \\ -0.3 + 0.5j & -0.7 - 0.1j \end{pmatrix}$$

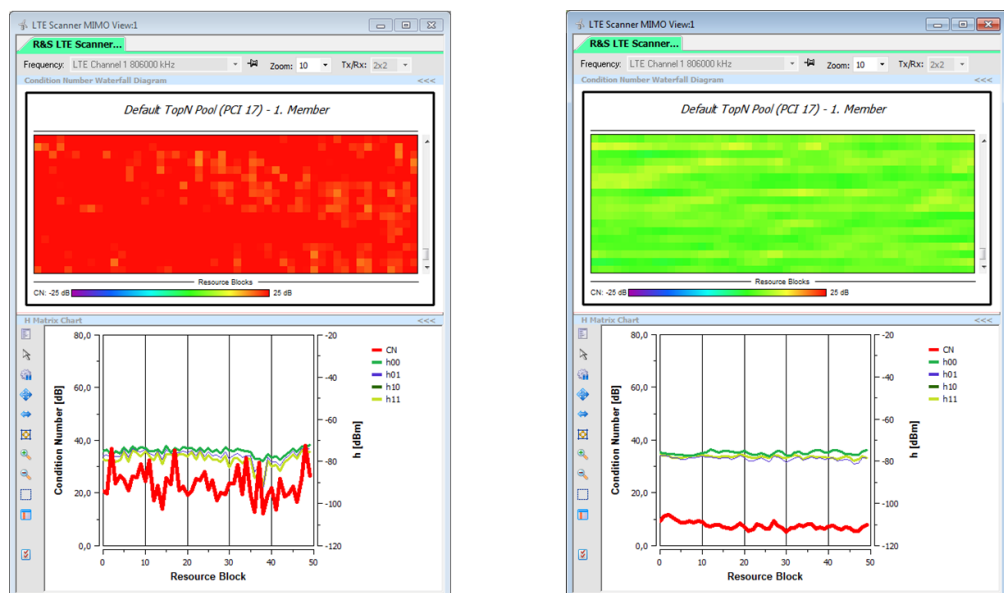
In this example, the instantaneous value for  $\sigma_{max}$  is 1.1457 and for  $\sigma_{min}$  is 0.6906. This is equal to rank 2, and given a condition number  $\kappa(\mathbf{H}) = 1.6583$  (logarithmic 4.4 dB), this channel is in fact suited for spatial multiplexing.

## 5 Field measurements in the real LTE network using R&S®TSMx network scanners

### 5.1 Condition number and rank measurements

The R&S®ROMES coverage analysis software and a R&S®TSMW dual-channel or two synchronized R&S®TSME wideband scanners can be used to measure and geographically pinpoint the downlink 2 x 2 MIMO channel during active LTE mobile radio network operation. Four R&S®TSME network scanners can be cascaded for MIMO 4 x 4 downlink channel measurements. (read more on this topic at <http://www.mobile-network-testing.com>).

*Figure 7* shows the influence of the antenna geometry. The figure to the left shows a measurement using two parallel dipole antennas, while one cross-polarized receive antenna was used in the figure to the right. The difference is significant: Without polarization, the condition number is unusable for MIMO (high dB value for the condition number), in contrast to the measurement using a cross-polarized receive antenna (low dB value of the condition number). This is confirmed by real-world measurements: Cross-polarized antenna geometries in both base and mobile stations are an important factor for successful MIMO operation. The waterfall diagram in the upper part of the window represents the condition number over all resource blocks.



**Figure 7: Field measurement with varying antenna geometries in a MIMO 2x2 network (illustrated in the condition number waterfall diagram)**



Figure 8 compares two measurements with line-of-sight (LOS) to an LTE base station and with an indirect or obstructed (non-) line-of-sight (NLOS) to the same station. In the LOS operation (left), cross-polarized transmit and receive antennas ensure a good and, more importantly, frequency-independent MIMO channel condition. Although the MIMO channel condition is no worse in the NLOS operation (driving through a forest, right), it is frequency-selective as a result of the multipath propagation.

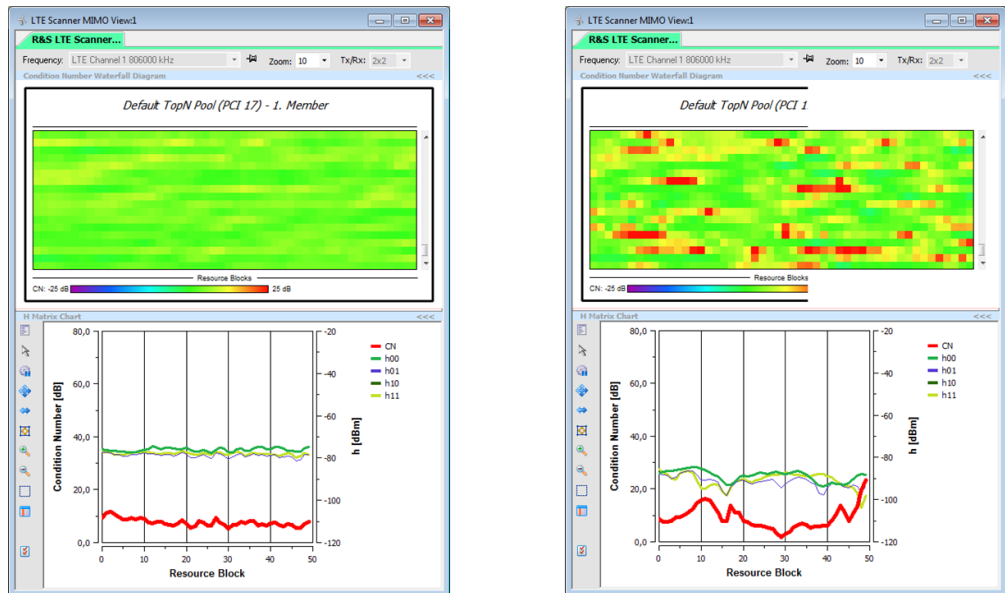


Figure 8: Field measurement with a direct and an indirect LOS link in MIMO 2x2 network (illustrated in the condition number waterfall diagram)

Figure 9 shows the rank as an additional parameter below the condition number waterfall diagram in a MIMO 4 x 4 measurement environment.

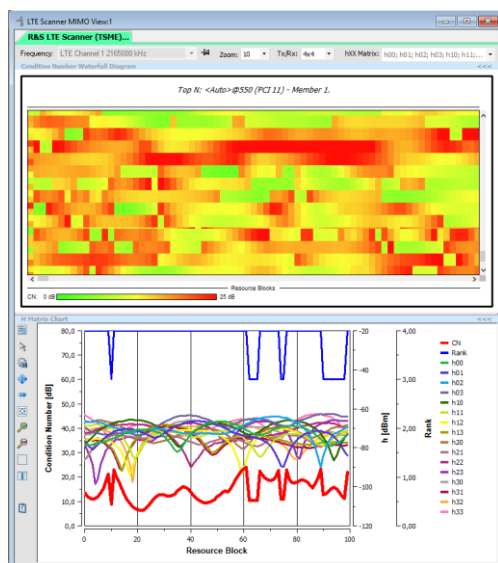


Figure 9: Field measurement result with condition number, waterfall diagram and rank.

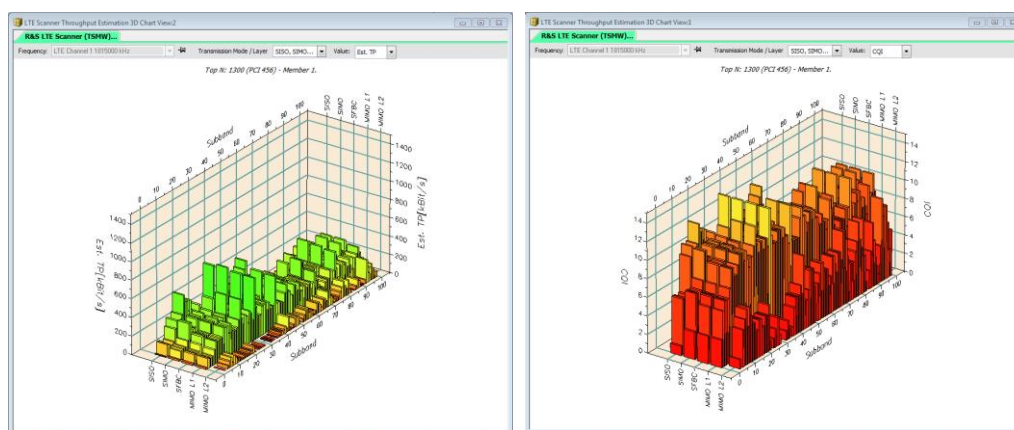
In a MIMO 4 x 4 network the maximum achievable rank is equal to four (shown in the measurement data in Figure 9). This leads to the conclusion that data transmission on four spatial layers is possible for the resource blocks 20 to 60 (evaluating the rank result in Figure 9; rank is equal to four).

## 5.2 Throughput Estimation with LTE MIMO scanner results

In addition to the condition number, rank and H-Parameters, the subband and wideband CQI (Channel Quality Indicator) for each LTE signal path is determined by the scanner. The CQI value is known as a parameter which is computed by the UE and is reported back to eNodeB. Depending on the CQI value, the eNodeB chooses the modulation and coding scheme (MCS) which is most suitable for the current channel condition with the target to achieve the highest possible throughput.

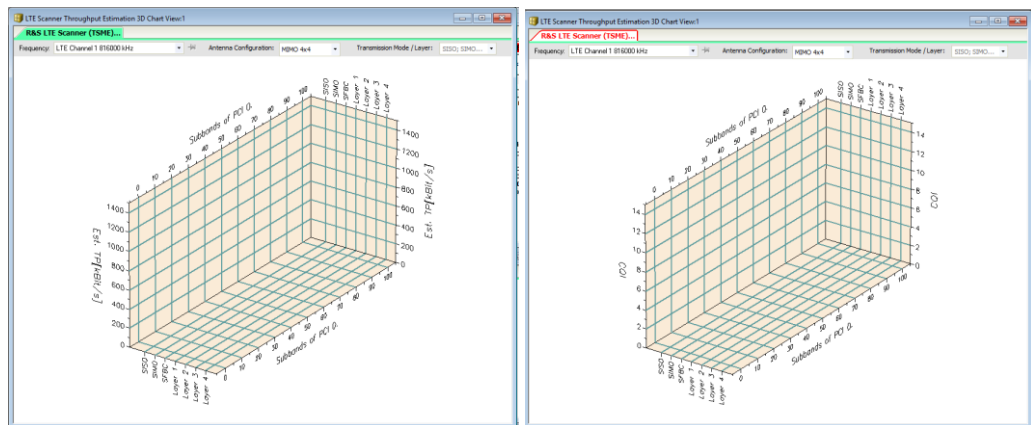
With RS-SINR scanner results – one of the main values for channel capacity referring to chapter 2 - the scanner measures all parameters which enable a reliable maximum throughput estimation. Therefore, a LTE Throughput Estimator is included in R&S@ROMES.

Figures 10 to 13 show 3D chart views of the R&S LTE Scanner with estimated throughput (Figure 10) and CQI per subband (Figure 11) for each transmission mode (SISO, SIMO, SFBC) and each spatial layer for MIMO 2 x 2 and MIMO 4 x 4 (MIMO L1...4). The 20 MHz LTE carrier is represented by the subbands 0...100 in Figure 10 and 13, the measurements of each subband (resource block) are visualized by bars (one bar per subband and transmission mode, resp. MIMO Layer) in the 3D bar charts.



**Figure 10 / 11: Estimated throughput and CQI per subband for each transmission mode in a MIMO 2x2 network**

The number of measured MIMO layers depends on the measurement configuration (MIMO 2x2 / MIMO 4 x 4...). In Figure 12 and 13, two additional fields for MIMO Layer 3 and 4 are added.



**Figure 12 / 13: Visualized parameters in the 3D bar charts in a MIMO 4x4 network for Estimated Throughput (Figure 12) and CQI (Figure 13) without measurement values for clarity; two layers (Layer 3 and Layer 4) are added for MIMO 4x4 measurements for each subband**

Throughput estimation is a passive measurement, which means, that no SIM card with a valid subscription is needed. It allows to compare the effectiveness of different transmission modes and to evaluate if the UE (which can also be connected to R&S@ROMES) makes use of the most effective transmission mode.

## 6 Summary

This white paper explains and discusses the parameters for assessing a MIMO channel matrix up to 4 x 4. Scanner-based field measurements in a real LTE network show, how values describing the MIMO channel, are visualized in R&S@ROMES at a glance.

The rank and condition number of the channel matrix are important for the assessment of the spatial multiplexing capability of a MIMO channel. Both indicators are derived from the singular values of the channel state matrix, which are in turn obtained by means of singular value decomposition (SVD) of the channel matrix. The rank of the matrix is the number of all singular values that have not dropped from the matrix, and the matrix condition number is the ratio of the maximum to the minimum singular value. If the rank of the channel matrix is at least 2, then the MIMO channel is essentially capable of spatial multiplexing. The quality of the spatial multiplexing capability is then additionally quantified by the channel matrix condition number. In practice, a channel matrix having a logarithmic condition number of  $20\log(\kappa(H)) < 10$  dB is clearly suitable for spatial multiplexing.

The math behind the assessment is discussed in detail for the simplest example of a 2 x 2 spatial multiplex transmission on the requisite 2 x 2 MIMO channel. The rank and condition number of a matrix are defined over all possible matrix dimensions and thus can also be used for more complex MIMO systems. As a result, the next generation of mobile radio standards, such as LTE-A, specify up to 8 x 8 spatial multiplexing [9], which of course is a transmission of 8 parallel data streams via 8 transmit and 8 receive antennas. But even with an 8 x 8 channel state matrix having 64 complex matrix elements, the rank and condition number still provide the decisive indicators with respect to MIMO characteristics. The same applies to non-quadratic channel matrices, such as a 4 x 2 transmission in which 2 x 2 spatial multiplexing is combined with a performance-enhancing transmit diversity. These types of constellations are likewise specified in the latest mobile radio and broadband radio standards and are already being implemented. Thus, the assessment of the MIMO channel by its channel matrix rank and condition is both, simple and future proofed.

## 7 References

- [1] Kammeyer, "Nachrichtenübertragung" (Communications), 3rd edition, Teubner Verlag
- [2] Rohde & Schwarz: "Introduction to MIMO", Application Note 1MA142, 2009
- [3] Rohde & Schwarz: "LTE beamforming measurements", Application Note 1MA187, 2011
- [4] Dahlman, Parkvall, Sköld, Beming, "3 G Evolution HSPA and LTE for Mobile Broadband", Second edition, Academic Press, 2008
- [5] Fazel, Kaiser: "Multi-Carrier and Spread Spectrum Systems", Wiley, 2003
- [6] Bahai, Saltzberg, Ergen: "Multi-Carrier Digital Communications Theory and Applications of OFDM", Second edition, Springer, 2004
- [7] Krüger, Mellein: "UMTS Introduction and Measurement", Rohde & Schwarz, 2004
- [8] Geßner: "Long Term Evolution – A concise introduction to LTE and its measurements", Rohde & Schwarz, 2011
- [9] Rohde & Schwarz: "LTE-Advanced Technology Introduction", Application Note 1MA169, 2010
- [10] Foschini, Gans: "On Limits of Wireless Communications in a Fading Environment when Using Multiple Antennas", Wireless Personal Communications 6, 311-335, 1998

### **About Rohde & Schwarz**

Rohde & Schwarz is an independent group of companies specializing in electronics. It is a leading supplier of solutions in the fields of test and measurement, broadcasting, radiomonitoring and radiolocation, as well as secure communications. Established more than 75 years ago, Rohde & Schwarz has a global presence and a dedicated service network in over 70 countries. Company headquarters are in Munich, Germany.

### **Environmental commitment**

- Energy-efficient products
- Continuous improvement in environmental sustainability
- ISO 14001-certified environmental management system



### **Regional contact**

Europe, Africa, Middle East

+49 89 4129 12345

[customersupport@rohde-schwarz.com](mailto:customersupport@rohde-schwarz.com)

North America

1-888-TEST-RSA (1-888-837-8772)

[customer.support@rsa.rohde-schwarz.com](mailto:customer.support@rsa.rohde-schwarz.com)

Latin America

+1-410-910-7988

[customersupport.la@rohde-schwarz.com](mailto:customersupport.la@rohde-schwarz.com)

Asia/Pacific

+65 65 13 04 88

[customersupport.asia@rohde-schwarz.com](mailto:customersupport.asia@rohde-schwarz.com)

This application note and the supplied programs may only be used subject to the conditions of use set forth in the download area of the Rohde & Schwarz website.

R&S® is a registered trademark of Rohde & Schwarz GmbH & Co. KG. Trade names are trademarks of the owners.

**Rohde & Schwarz GmbH & Co. KG**

Mühl Dorfstraße 15 | D - 81671 München

Phone + 49 89 4129 - 0 | Fax + 49 89 4129 - 13777

[www.rohde-schwarz.com](http://www.rohde-schwarz.com)