

R&S®VENICE

The ingest and playout platform



www.rohde-schwarz.com/venice



ROHDE & SCHWARZ



Contents

- 04** One solution for today's workflow challenges
- 06** R&S®VENICE 2U, R&S®VENICE 4K
- 08** R&S®VENICE application suite
- 10** Service
- 11** Portfolio overview
- 12** Contact





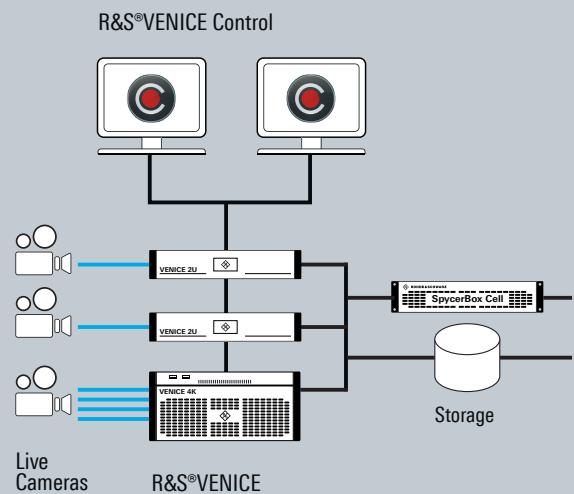
One solution for today's workflow challenges

R&S®VENICE is a future-ready, versatile ingest and playout platform for highly optimized broadcast workflows.



Live production

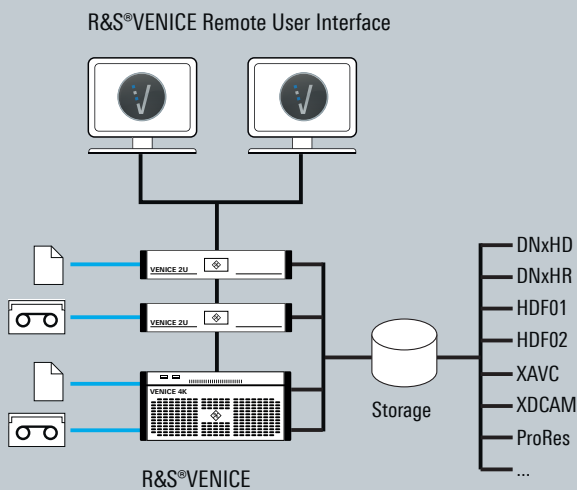
R&S®VENICE 2U and R&S®VENICE 4K are the first choice when it comes to recording live events up to 4K/UHD-1 resolution. R&S®VENICE Control makes multicamera recording easy and straightforward. Users can store production scenarios and load them as necessary, saving valuable preparation and setup time.





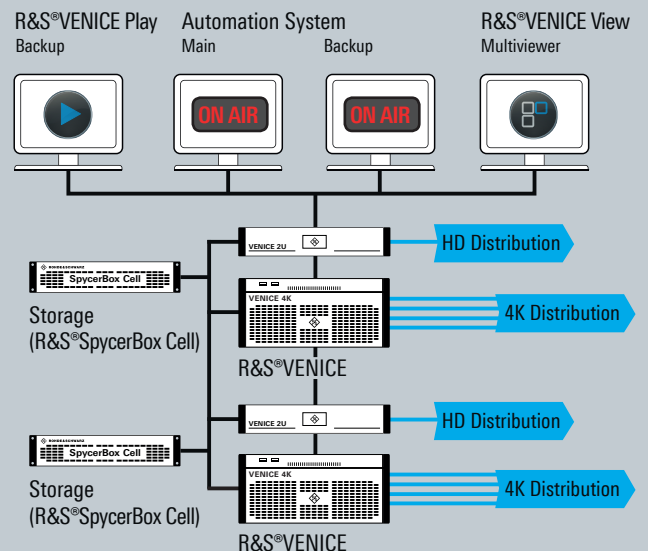
Content creation

In addition to live ingest functionality, R&S®VENICE 2U and R&S®VENICE 4K offer the option of ingest via professional-grade VTR machines. R&S®VENICE 2U and R&S®VENICE 4K also allow content to be imported directly as a file; they support direct readout from connected P2, SxS, XDCAM and GFCAM storage media. Individually recorded segments can be combined directly into a single file during transfer to the storage medium.



Distribution

R&S®VENICE 2U and R&S®VENICE 4K support today's distribution chains up to UHD-1/4K distribution, with fast and uncomplicated end-to-end workflows for high-resolution formats. With R&S®VENICE 2U and R&S®VENICE 4K, broadcasts are possible in a wide variety of formats and resolutions up to 4K/UHD-1 p60. All formats supported by R&S®VENICE 2U and R&S®VENICE 4K can be played out back to back without further processing.



Product family



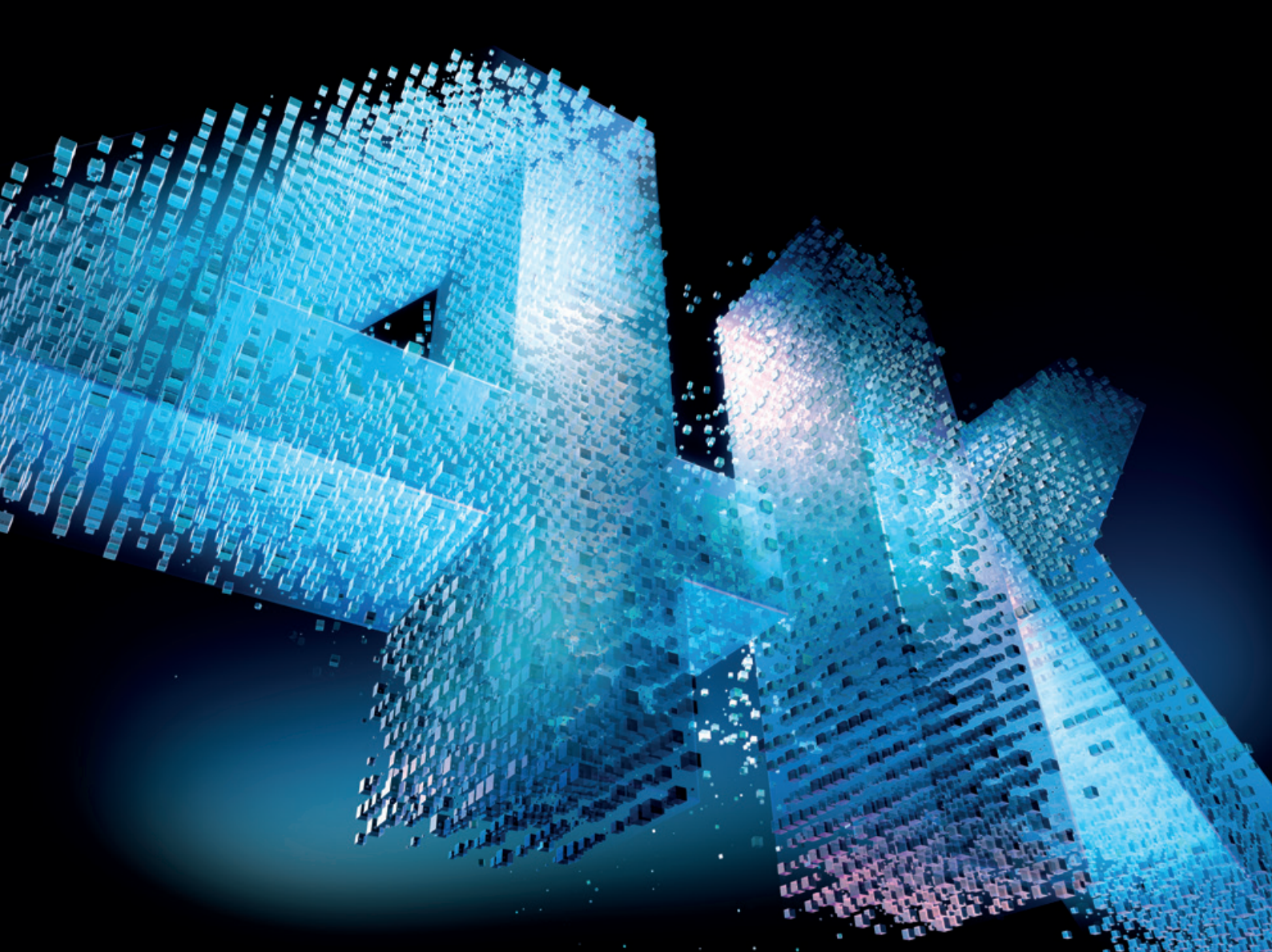
R&S®VENICE 2U

R&S®VENICE 2U is a future-ready video server for highly optimized file-based TV production workflows. R&S®VENICE 2U manages classic video server tasks such as HD-SDI ingest and studio playout combined with intelligent file-based features like file ingest, transforming and media transfer operations. It is especially suited to facilitate content ingest and distribution as well as studio production.



R&S®VENICE 4K

R&S®VENICE 4K delivers all the functionalities and features that R&S®VENICE 2U does plus the possibility to work in 4K/UHD-1. R&S®VENICE 4K is also capable of HD-SDI ingest, studio and channel playout as well as file-based tasks such as file import, transforming and media transfer operations. It is specifically designed to meet the demanding challenges posed by high-resolution workflows.



Key Features	R&S®VENICE 2U	R&S®VENICE 4K
Ingest and Playout up to HD p60	●	●
Ingest and Playout up to 4K/UHD-1 p60		●
Simultaneous proxy generation, closed-caption file creation and more	●	●
Multi-codec support for Sony XAVC, Apple ProRes, Avid DNxHR and more	●	●
Edit-while-ingest functionality for Adobe®Premiere®, Final Cut Pro® and Avid MediaComposer®	●	●
Advanced connectivity (VDCP, FIMS, MOS, Sony® 9-pin)	●	●
Dual-destination recording to MXF and QuickTime wrappers	●	●
Copy-while-ingest for time-critical operations	●	●
Local storage and SAN / NAS storage support	●	●
Transforming functionalities	●	●
Real-time up and down scaling	●	●
Back-to-back playout of mixed formats and codecs	●	●

R&S® VENICE

application suite

To adapt your R&S® VENICE platform to different production workflows, we offer a range of software options.

R&S® VENICE Remote UI

The unique remote user interface from Rohde&Schwarz allows production sequences to be controlled independently of resolution. The remote user interface helps you to manage all tasks reliably and quickly, from ingest to transcoding and playout processes.

R&S® VENICE Play

The R&S® VENICE Play software application was designed to simplify your life in hectic studio and live situations. R&S® VENICE Play provides clarity when managing multiple channels for studio and production playout applications.

R&S® VENICE View

R&S® VENICE View, the new multi-viewer from Rohde&Schwarz, is the perfect addition to the R&S® VENICE product line. R&S® VENICE View uses a sophisticated IP-based software architecture that makes costly conventional SDI infrastructure and dedicated multiviewer hardware obsolete.



- Access to all server functionalities for ingest, playout and transcoding. Instant switch of operating mode with just one click
- VTR control with insert and assemble functionality
- Batch capture ingest and transforming
- Built-in audio routing and monitoring
- Integrated metadata input option
- Play-after-write functionality for real confidence monitoring
- Subclipping/segmentation of growing files
- Available for Windows®, Mac OS® and Linux®



- Web services (MOS) based studio playout application
- Control over multiple R&S® VENICE 2U and R&S® VENICE 4K playout channels
- Client-server architecture for maximum reliability
- Loops on items, stories and rundowns
- Customizable thumbnails and countdowns
- Head and tail editor for fast last-second changes
- Integrated R&S® Spycer file browser
- Available for Windows®, Mac OS® and Linux®



- IP-based multiviewer and monitoring application
- Display of video overlay, channel name and status
- Display of timecode and audio peakmeters
- Health status information visually indicating good, problematic or critical channel conditions
- Runs on commercial off-the-shelf systems
- No need for extra multiviewer equipment or SDI cabling
- Available for Windows® and Linux®

R&S®VENICE Control

Rohde&Schwarz developed R&S®VENICE Control in close cooperation with leading studio operators to meet the high demands of multi-camera recordings. R&S®VENICE Control makes it possible to record up to 16 independent SD, HD or UHD-1 channels in all professional production and broadcast formats.

R&S®VENICE Maintenance

R&S®VENICE Maintenance was designed to meet the specific needs of administrators. As a client-server application, you can conveniently acquire log files from all R&S®VENICE systems in the network.

R&S®Spycer

The innovative R&S®Spycer data management software lets you effectively review and manage extremely large volumes of data. Create a transparent network that allows you to view and edit the contents of all connected systems using a wide array of tools.



- ▮ Flexible multichannel ingest solution
- ▮ Client-server architecture for maximum reliability
- ▮ Control over multiple R&S®VENICE 2U and R&S®VENICE 4K ingest channels
- ▮ Gang records in multiple ingest groups
- ▮ Automatic file naming and folder creation
- ▮ Dual-destination recording
- ▮ Edit-while functionality
- ▮ Integrated R&S®Spycer file browser
- ▮ Available for Windows® and Mac OS®



- ▮ Central log file gathering application
- ▮ Server connection via simple drag and drop
- ▮ Temporal selection for log file gathering
- ▮ Client-server architecture
- ▮ Available for Windows®, Mac OS® and Linux®



- ▮ The scalable R&S®SpycerNet connects individual workstations to build a distributed content management system
- ▮ High-speed copying processes for accelerated Ethernet and 10 GigE copying
- ▮ Identical GUIs under Windows®, Linux® and Mac OS®
- ▮ Browsing and displaying of single-frame sequences (e.g. JPEG2000, DPX, TIFF, BMP, TGA, CIN, OpenEXR) with the built-in media player
- ▮ Browsing and displaying of container formats (e.g. QuickTime®, AVI, MXF, R3D) and more than 100 video and image formats

Service

To make sure you get the full benefit from the functionality and precision of your products for the longest possible time, we offer a range of services tailored to your specific needs.



Service level agreements

We lay the groundwork for top performance in your core business – that's our primary focus at Rohde&Schwarz. Which is why we back up our high-quality, long-lasting products with our service level agreement, providing you with exceptionally reliable service that helps you control your costs.

Professional Services

Besides our service level agreements we offer you a wide range of professional services such as:

- Remote system installation and integration support
- On-site installation
- On-site training
- On-site support
- Project management
- Factory acceptance test
- On-site acceptance test
- Customer-specific configuration
- Software adjustments

Our team is available around the clock to answer any questions you may have. Refer to the back of this brochure for contact information.

More than just resolution

Broadcast and media solutions from Rohde & Schwarz

Ingest



Ingest and production server
R&S®VENICE

Processing and storage



Media storage
R&S®Spycer Box

Playout



Playout server
R&S®VENICE

Post production



Mastering
R&S®CLIPSTER

Encoding and multiplexing



Headend
R&S®AVHE100

Monitoring



Multiviewer
R&S®PRISMON

TV and radio transmitters



Transmitters
R&S®Tx9

Test and measurement



Signal analyzers
R&S®ETL

Portfolio overview

Rohde & Schwarz has been active in the field of TV and sound broadcasting for almost 70 years. The company has significantly contributed to the development of broadcasting, spanning the entire range from the analog to digital standards to the current high-definition formats. Rohde & Schwarz now supplies solutions along the entire broadcasting value chain, starting with post production in the studio and ending with transmission of the broadcasting signal. From broadcasting to test and measurement to media technology, Rohde & Schwarz always provides the optimum solution for content providers, network operators and device manufacturers.

For more information about our products, feel free to contact us.

Service that adds value

- | Worldwide
- | Local and personalized
- | Customized and flexible
- | Uncompromising quality
- | Long-term dependability

Rohde & Schwarz

The Rohde & Schwarz electronics group offers innovative solutions in the following business fields: test and measurement, broadcast and media, secure communications, cybersecurity, monitoring and network testing. Founded more than 80 years ago, the independent company which is headquartered in Munich, Germany, has an extensive sales and service network with locations in more than 70 countries.

Sustainable product design

- | Environmental compatibility and eco-footprint
- | Energy efficiency and low emissions
- | Longevity and optimized total cost of ownership

Regional contact

- | Europe, Africa, Middle East | +49 89 4129 12345
customersupport@rohde-schwarz.com
- | North America | 1 888 TEST RSA (1 888 837 87 72)
customer.support@rsa.rohde-schwarz.com
- | Latin America | +1 410 910 79 88
customersupport.la@rohde-schwarz.com
- | Asia Pacific | +65 65 13 04 88
customersupport.asia@rohde-schwarz.com
- | China | +86 800 810 82 28 | +86 400 650 58 96
customersupport.china@rohde-schwarz.com

Rohde & Schwarz GmbH & Co. KG

www.rohde-schwarz.com

R&S® is a registered trademark of Rohde & Schwarz GmbH & Co. KG
Trade names are trademarks of the owners
PD 5215.1299.62 | Version 01.01 | April 2017
Broadcast and media solutions from Rohde & Schwarz
Data without tolerance limits is not binding | Subject to change
© 2017 Rohde & Schwarz GmbH & Co. KG | 81671 Munich, Germany



5215.1299.62