

# R&S® ZN-Z86 | R&S® ZN-Z86X SWITCH MATRIX

## Specifications



Specifications  
Version 03.00

**ROHDE & SCHWARZ**

Make ideas real



# CONTENTS

<b>Definitions .....</b>	<b>3</b>
<b>Switching configurations .....</b>	<b>4</b>
R&S®ZN-Z86 switch matrix.....	4
R&S®ZN-Z86X switch matrix.....	10
<b>Specifications.....</b>	<b>12</b>
General features.....	12
R&S®ZN-Z86 performance data.....	12
R&S®ZN-Z86X performance data .....	13
Remote control.....	13
Switching times.....	13
General data.....	14
<b>Mechanical extensions .....</b>	<b>15</b>
R&S®ZN-ZTBE mechanical matrix extension for the R&S®ZN-Z86 .....	15
R&S®ZN-ZTXBE mechanical matrix extension for the R&S®ZN-Z86X.....	15
<b>Ordering information .....</b>	<b>16</b>

# Definitions

## General

Product data applies under the following conditions:

- Three hours storage at ambient temperature followed by 30 minutes warm-up operation
- Specified environmental conditions met
- Recommended calibration interval adhered to
- All internal automatic adjustments performed, if applicable

## Specifications with limits

Represent warranted product performance by means of a range of values for the specified parameter. These specifications are marked with limiting symbols such as  $<$ ,  $\leq$ ,  $>$ ,  $\geq$ ,  $\pm$ , or descriptions such as maximum, limit of, minimum. Compliance is ensured by testing or is derived from the design. Test limits are narrowed by guard bands to take into account measurement uncertainties, drift and aging, if applicable.



## Non-traceable specifications with limits (n. trc.)

Represent product performance that is specified and tested as described under “Specifications with limits” above. However, product performance in this case cannot be warranted due to the lack of measuring equipment traceable to national metrology standards. In this case, measurements are referenced to standards used in the Rohde & Schwarz laboratories.

## Specifications without limits

Represent warranted product performance for the specified parameter. These specifications are not specially marked and represent values with no or negligible deviations from the given value (e.g. dimensions or resolution of a setting parameter). Compliance is ensured by design.

## Typical data (typ.)

Characterizes product performance by means of representative information for the given parameter. When marked with  $<$ ,  $>$  or as a range, it represents the performance met by approximately 80 % of the instruments at production time. Otherwise, it represents the mean value.

## Nominal values (nom.)

Characterize product performance by means of a representative value for the given parameter (e.g. nominal impedance). In contrast to typical data, a statistical evaluation does not take place and the parameter is not tested during production.

## Measured values (meas.)

Characterize expected product performance by means of measurement results gained from individual samples.

## Uncertainties

Represent limits of measurement uncertainty for a given measurand. Uncertainty is defined with a coverage factor of 2 and has been calculated in line with the rules of the Guide to the Expression of Uncertainty in Measurement (GUM), taking into account environmental conditions, aging, wear and tear.

Device settings and GUI parameters are designated with the format “parameter: value”.

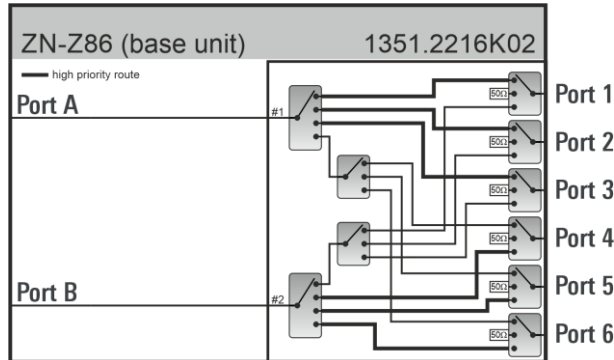
Non-traceable specifications with limits, typical data as well as nominal and measured values are not warranted by Rohde & Schwarz.

In line with the 3GPP standard, chip rates are specified in million chips per second (Mcps), whereas bit rates and symbol rates are specified in billion bit per second (Gbps), million bit per second (Mbps), thousand bit per second (kbps), million symbols per second (MSPs) or thousand symbols per second (ksps), and sample rates are specified in million samples per second (Msample/s). Gbps, Mcps, Mbps, MSPs, kbps, ksps and Msample/s are not SI units.

# Switching configurations

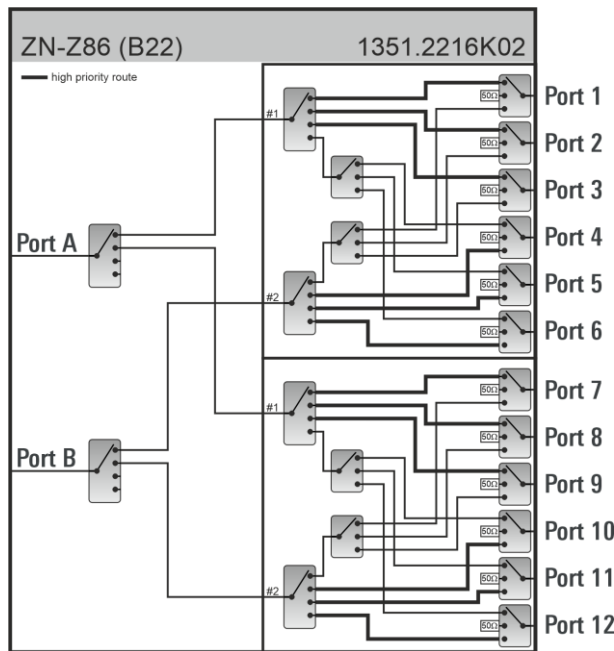
## R&S®ZN-Z86 switch matrix

2 × 6 ports



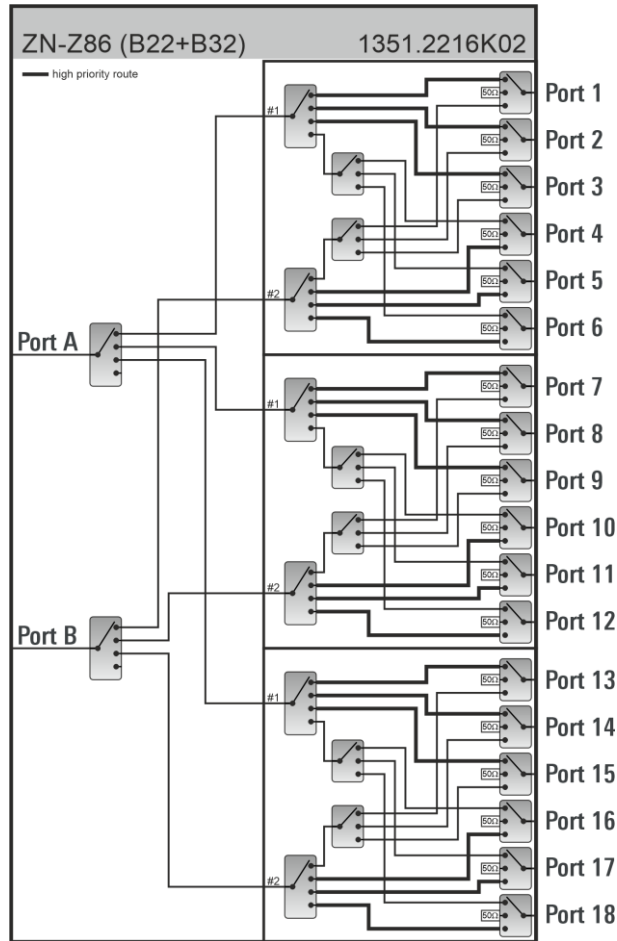
R&S®ZN-Z86 base unit

2 × 12 ports



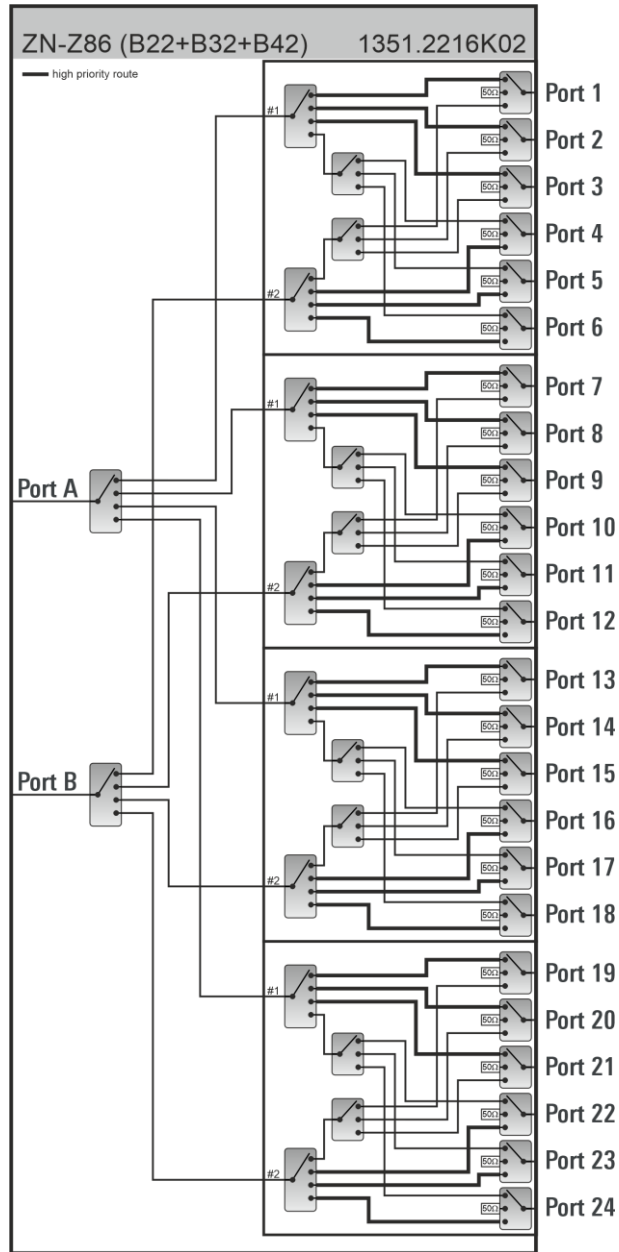
R&S®ZN-Z86 base unit with  
R&S®ZN-Z86-B22 option

2 x 18 ports



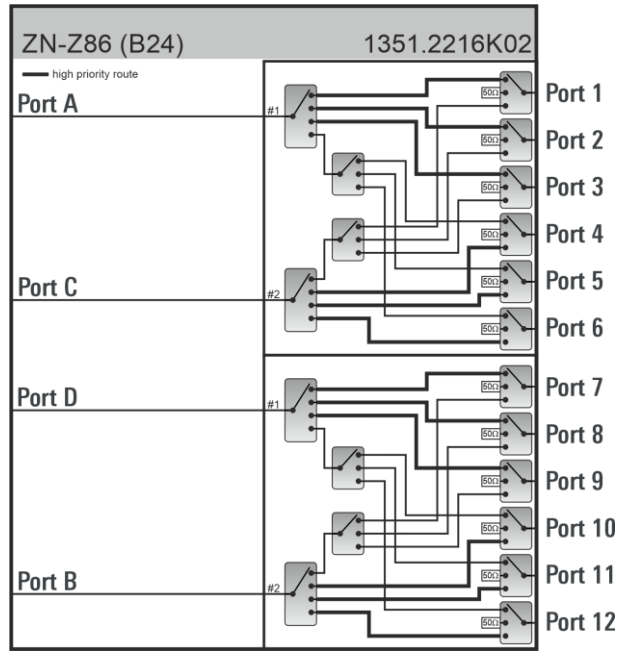
R&S<sup>®</sup>ZN-Z86 base unit with  
R&S<sup>®</sup>ZN-Z86-B22 and R&S<sup>®</sup>ZN-Z86-B32 options

2 x 24 ports



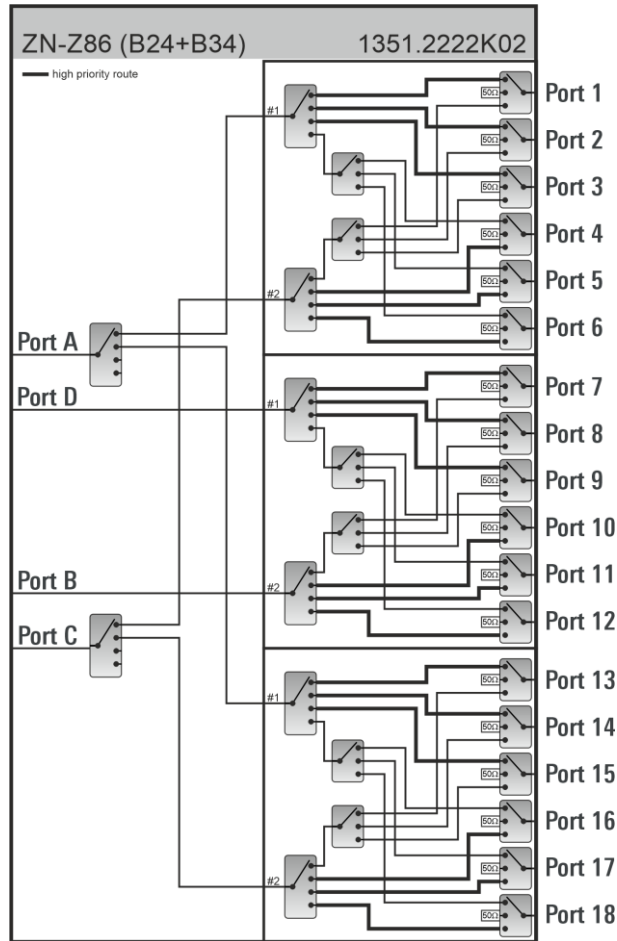
R&S<sup>®</sup>ZN-Z86 base unit with  
R&S<sup>®</sup>ZN-Z86-B22, R&S<sup>®</sup>ZN-Z86-B32 and R&S<sup>®</sup>ZN-Z86-B42 options

4 x 12 ports



R&S<sup>®</sup>ZN-Z86 base unit with  
R&S<sup>®</sup>ZN-Z86-B24 option

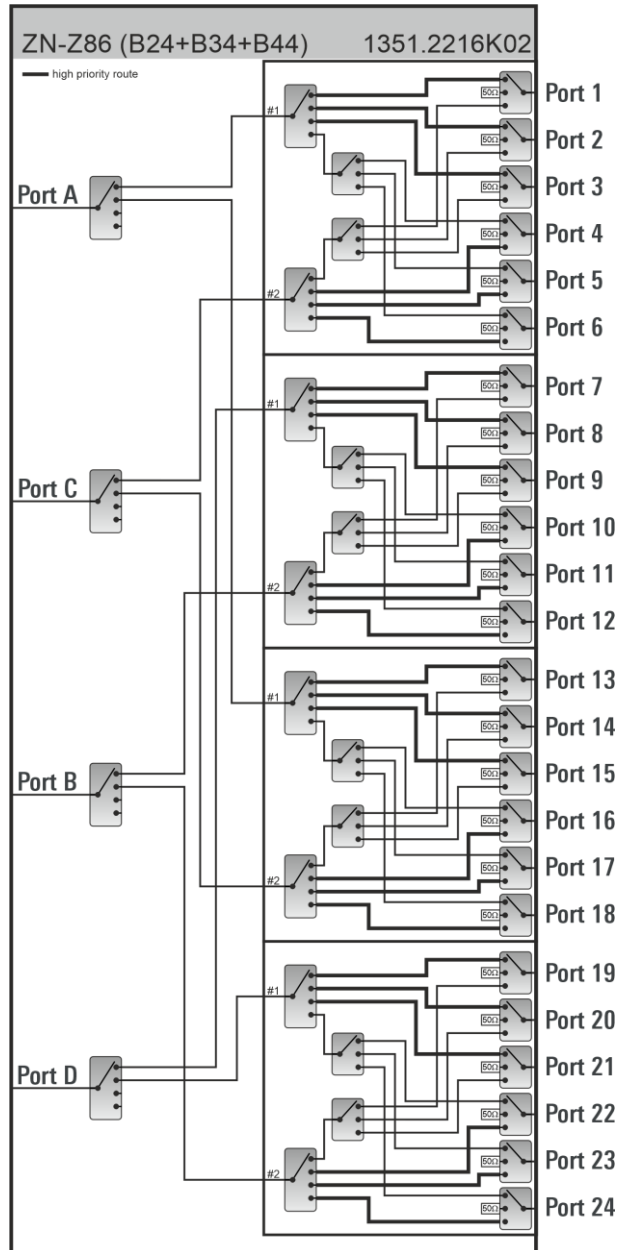
4 x 18 ports



R&S<sup>®</sup>ZN-Z86 base unit with  
R&S<sup>®</sup>ZN-Z86-B24 and R&S<sup>®</sup>ZN-Z86-B34 options



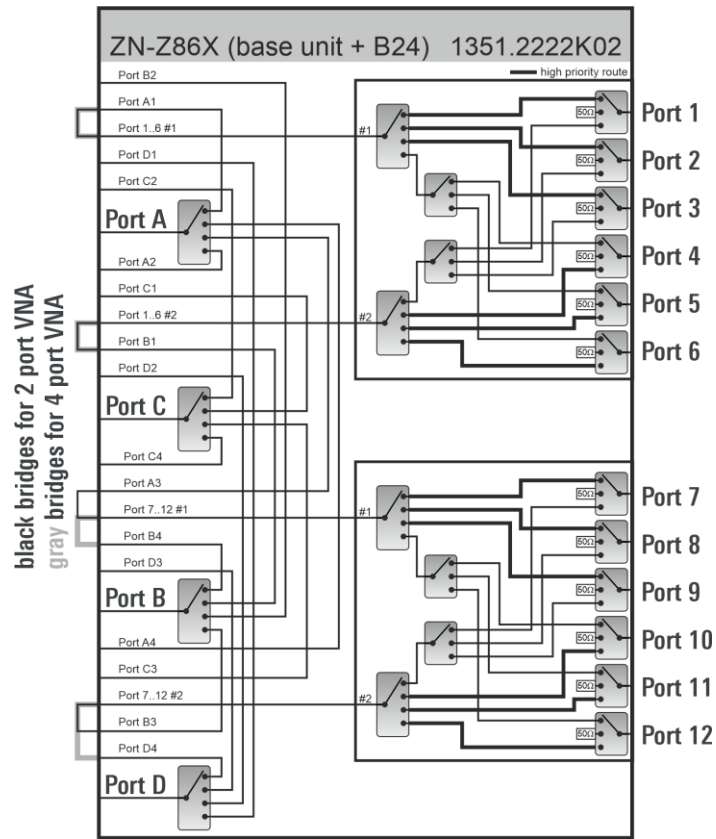
## 4 x 24 ports



R&S<sup>®</sup>ZN-Z86 base unit with  
R&S<sup>®</sup>ZN-Z86-B24, R&S<sup>®</sup>ZN-Z86-B34 and R&S<sup>®</sup>ZN-Z86-B44 options

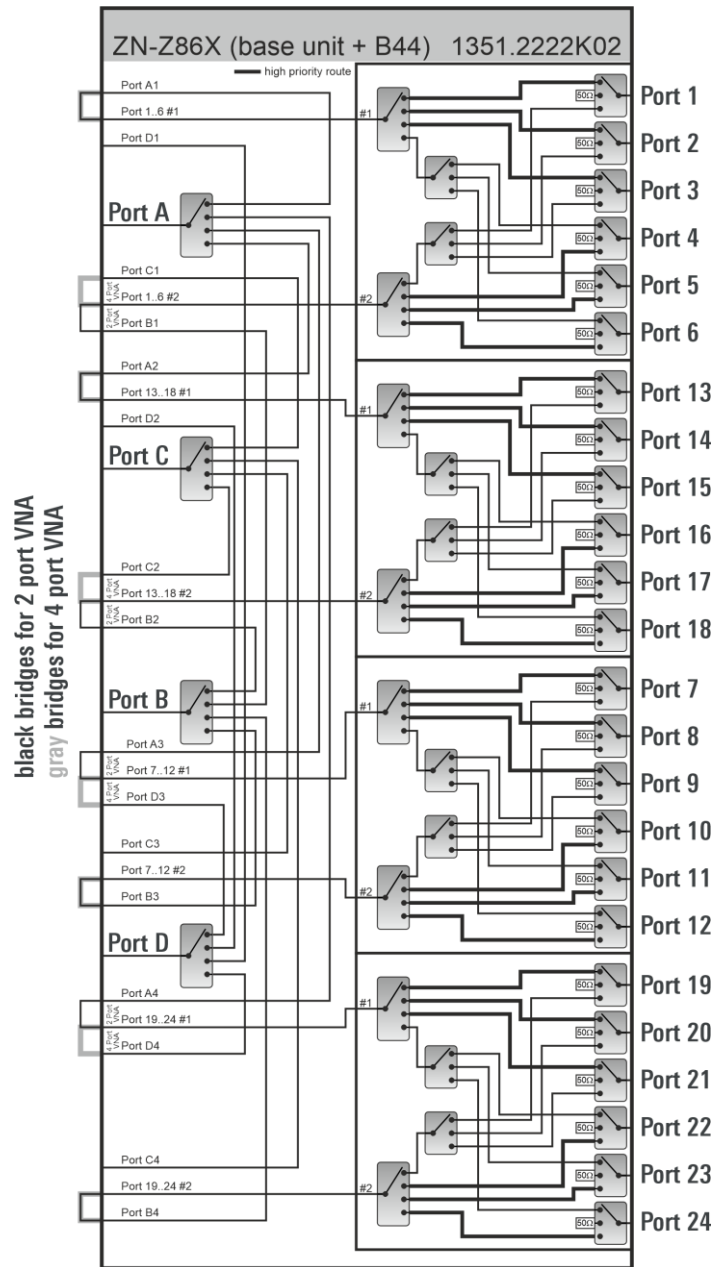
# R&S®ZN-Z86X switch matrix

2 or 4 × 12 ports



R&S®ZN-Z86X base unit with  
R&S®ZNZ86X-B24 option

2 or 4 x 24 ports



R&S®ZN-Z86X base unit with  
R&S®ZNZ86X-B44 option

# Specifications

## General features

Supported vector network analyzers (VNA)		R&S®ZNA, R&S®ZNB, R&S®ZNB
Frequency range		100 MHz to 26.5 GHz
Impedance		50 Ω
<b>R&amp;S®ZN-Z86</b>		
Number of VNA ports	R&S®ZN-Z86	2 or 4
Test port connector type		2.92 mm, female
Number of test ports		6, 12, 18, 24
Switching configuration	R&S®ZN-Z86 base unit	full crossbar
	R&S®ZN-Z86 base unit with R&S®ZN-Z86-B22, R&S®ZN-Z86-B32, R&S®ZN-Z86-B42 options	full crossbar
	R&S®ZN-Z86 base unit with R&S®ZN-Z86-B24, R&S®ZN-Z86-B34, R&S®ZN-Z86-B44 options	<ul style="list-style-type: none"> <li>VNA ports A and C to test ports 1 to 6 and to test ports 13 to 18, full crossbar</li> <li>VNA ports B and D to test ports 7 to 12 and to test ports 19 to 24, full crossbar</li> </ul>
<b>R&amp;S®ZN-Z86X</b>		
Number of VNA ports	R&S®ZN-Z86X, all models	4
Test port connector type		2.92 mm, female
Number of test ports		12 or 24
Switching configuration	R&S®ZN-Z86X base unit with R&S®ZNZ86X-B24 option, 2-port VNA	full crossbar
	R&S®ZN-Z86X base unit with R&S®ZNZ86X-B24 option, 4-port VNA	<ul style="list-style-type: none"> <li>VNA ports A and C to test ports 1 to 6, full crossbar</li> <li>VNA ports B and D to test ports 7 to 12, full crossbar</li> </ul>
	R&S®ZN-Z86X base unit with R&S®ZNZ86X-B44 option, 2-port VNA	full crossbar
	R&S®ZN-Z86X base unit with R&S®ZNZ86X-B44 option, 4-port VNA	<ul style="list-style-type: none"> <li>VNA ports A and C to test ports 1 to 6 and to test ports 13 to 18, full crossbar</li> <li>VNA ports B and D to test ports 7 to 12 and to test ports 19 to 24, full crossbar</li> </ul>
Damage level		+23 dBm
Damage DC voltage		10 V

## R&S®ZN-Z86 performance data

		100 MHz to 8 GHz (in dB)	8 GHz to 18 GHz (in dB)	18 GHz to 26.5 GHz (in dB)
Insertion loss	R&S®ZN-Z86-B22, R&S®ZN-Z86-B32, R&S®ZN-Z86-B42, R&S®ZN-Z86-B34, R&S®ZN-Z86-B44			
	any VNA port to any test port	< 9	< 13	< 18
Insertion loss (high priority path)	R&S®ZN-Z86-B22 (R&S®ZN-Z86-B32, R&S®ZN-Z86-B42)			
	VNA ports A and B to test ports 1 to 3 and to test ports 7 to 9	< 7	< 10	< 12
	VNA ports A and B to test ports 4 to 6 and to test ports 10 to 12	< 7	< 10	< 12
	VNA ports C and D to test ports 1 to 3 and to test ports 7 to 9	< 7	< 10	< 12
	VNA ports C and D to test ports 4 to 6 and to test ports 10 to 12	< 7	< 10	< 12

Insertion loss	R&S®ZN-Z86 base unit with R&S®ZN-Z86-B24 option			
	VNA ports A and B to test ports 1 to 3 and to test ports 7 to 9	< 7	< 10	< 12
	VNA ports A and B to test ports 4 to 6 and to test ports 10 to 12	< 7	< 10	< 12
	VNA port C and D to test ports 1 to 3 and to test ports 7 to 9	< 7	< 10	< 12
Raw load port match	any selected test port (active)	> 10, 12 (typ.)	> 9, 11 (typ.)	> 6, 10 (typ.)
	any unselected test port (passive)	> 14, 16 (typ.)	> 11, 13 (typ.)	> 9, 11 (typ.)
Isolation	any unselected test port to any VNA port	> 70	> 70	> 70

## R&S®ZN-Z86X performance data

		100 MHz to 8 GHz (in dB)	8 GHz to 18 GHz (in dB)	18 GHz to 26.5 GHz (in dB)
Insertion loss	R&S®ZN-Z86X base unit (12 ports)			
	any VNA port to any test port	< 9	< 13	< 18
	high priority path (3 ports of 6-port group)	< 7	< 10	< 12
	R&S®ZNZ86X-B44 (24 ports)			
Raw load port match	any selected test port (active)	> 10, 12 (typ.)	> 8, 10 (typ.)	> 6, 10 (typ.)
	any unselected test port (passive)	> 14, 16 (typ.)	> 11, 13 (typ.)	> 9, 11 (typ.)
Isolation	any unselected test port to any VNA port	> 70	> 70	> 70

## Remote control

USB		universal serial bus socket, type B
LAN		10/100BASE-T, RJ-45
Direct control	R&S®ZNB-B12/R&S®ZNBT-B12 device control option needed	direct connection to internal VNA measurement bus

## Switching times

USB	with software handshake turned on	typ. 4 ms (nom.)
LAN	with software handshake turned on	typ. 5 ms (nom.)
Direct control		< 200 µs (nom.)
BNC trigger		< 10 µs

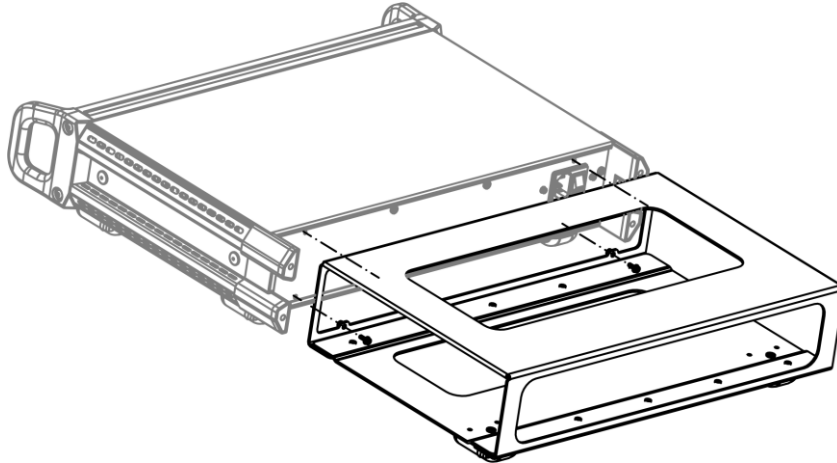
## General data

Temperature loading	operating temperature range	+18 °C to +28 °C
	permissible temperature range	+5 °C to +40 °C
	storage temperature range	-20 °C to +60 °C
Damp heat		in line with IEC 60068-2-1 and IEC 60068-2-2 +40 °C at 85 % rel. humidity, in line with IEC 60068-2-30
<b>Mechanical resistance</b>		
Vibration	sinusoidal	5 Hz to 150 Hz, in line with IEC 60068-2-6
	random	8 Hz to 500 Hz, in line with IEC 60068-2-64
Shock		40 g shock spectrum, in line with IEC 60068-2-27, MIL-STD-810
<b>Power rating</b>		
Power supply	AC input voltage range	100 V to 240 V (AC) ± 10 %
	AC supply frequency	50 Hz to 60 Hz/400 Hz ± 5 %
	maximum input current	< 1.7 A
	safety	safety class I to VDE 411
Power consumption		≤ 130 VA
<b>Product conformity</b>		
Electromagnetic compatibility	RF emission	in line with CISPR 11/EN 55011 group 1, class B (for a shielded test setup)
	other emissions	in line with IEC/EN 61326-1, class B
	immunity	industrial environment (excluding operating frequency)
Electrical safety		in line with IEC 61010-1 and EN 61010-1, C22.2 No. 61010-1 and UL61010-1
International safety approvals		VDE, cCSAus, CE, UKCA
<b>Calibration interval</b>		1 year
<b>Dimensions</b> (W × H × D)	R&S®ZN-Z86	459.2 mm × 104.7 mm × 352.2 mm (18.08 in × 4.12 in × 13.87 in)
	R&S®ZN-Z86X	459.2 mm × 149.2 mm × 352.2 mm (18.08 in × 5.87 in × 13.87 in)
<b>Weight</b>	R&S®ZN-Z86	4 kg to 6 kg (8.8 lb to 13.2 lb)
	R&S®ZN-Z86X	5 kg to 7 kg (11 lb to 15.4 lb)

## Mechanical extensions

### R&S®ZN-ZTBE mechanical matrix extension for the R&S®ZN-Z86

To place the R&S®ZNA or R&S®ZNBT vector network analyzer on top of the R&S®ZN-Z86 switch matrix the R&S®ZN-ZTBE mechanical matrix extension is used.

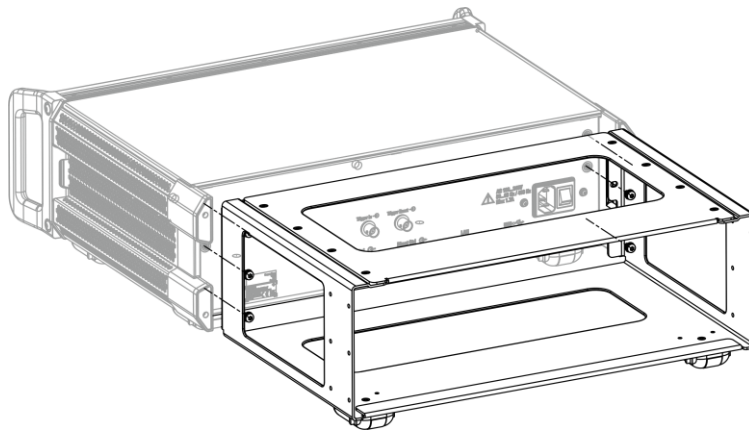


*R&S®ZN-ZTBE mechanical matrix extension for the R&S®ZN-Z86*

Maximum load	for fully equipped R&S®ZNBT	45 kg
Dimensions	W x H x D	410 mm x 103 mm x 255 mm (16.1 in x 4.1 in x 10.0 in)
Weight		400 g (0.9 lb)

### R&S®ZN-ZTXBE mechanical matrix extension for the R&S®ZN-Z86X

To place the R&S®ZNA or R&S®ZNBT vector network analyzer on top of the R&S®ZN-Z86X switch matrix the R&S®ZN-ZTXBE mechanical matrix extension is used.



*R&S®ZN-ZTXBE mechanical matrix extension for the R&S®ZN-Z86X*

Maximum load	for fully equipped R&S®ZNBT	45 kg
Dimensions	W x H x D	410 mm x 150 mm x 257 mm (16.1 in x 5.9 in x 10.1 in)
Weight		600 g (1.3 lb)

## Ordering information

Designation	Type	Order No.
<b>Base units (including accessories supplied such as power cable, manual)</b>		
Switch matrix, 26.5 GHz, 2 VNA ports to 6 test ports	R&S®ZN-Z86	1351.2216.02
Switch matrix, 26.5 GHz, with additional RF access	R&S®ZN-Z86X	1351.2222.02
<b>Options for R&amp;S®ZN-Z86 (prerequisite: R&amp;S®ZN-Z86 base unit)</b>		
Additional test ports 7 to 12, 2 VNA ports to 12 test ports	R&S®ZN-Z86-B22	1351.2900.22
Additional test ports 13 to 18, 2 VNA ports to 18 test ports <sup>1</sup>	R&S®ZN-Z86-B32	1351.2900.32
Additional test ports 19 to 24, 2 VNA ports to 24 test ports <sup>2</sup>	R&S®ZN-Z86-B42	1351.2900.42
Additional test ports 7 to 12, 4 VNA ports to 12 test ports	R&S®ZN-Z86-B24	1351.2900.24
Additional test ports 13 to 18, 4 VNA ports to 18 test ports <sup>3</sup>	R&S®ZN-Z86-B34	1351.2900.34
Additional test ports 19 to 24, 4 VNA ports to 24 test ports <sup>4</sup>	R&S®ZN-Z86-B44	1351.2900.44
<b>Options for R&amp;S®ZN-Z86X (prerequisite: R&amp;S®ZN-Z86X base unit)</b>		
Additional test ports 1 to 12, 2 or 4 VNA ports	R&S®ZNZ86X-B24	1351.2222.24
Additional test ports 1 to 24, 2 or 4 VNA ports	R&S®ZNZ86X-B44	1351.2222.44
<b>RF cable sets</b>		
Semi-rigid cable set for R&S®ZNA, 2.92 mm (f) to 2.92 mm (m), 2 or 4 R&S®ZNA ports to R&S®ZN-Z86, benchtop operation	R&S®ZN-ZA26	1328.8905.02
Semi-rigid cable set for R&S®ZNA, 2.92 mm (f) to 2.92 mm (m), 2 or 4 R&S®ZNA ports to R&S®ZN-Z86X, benchtop operation	R&S®ZN-ZA26	1328.8905.03
Semi-rigid cable set for R&S®ZNB, 2.92 mm (f) to 2.92 mm (m), 2 or 4 R&S®ZNB ports to R&S®ZN-Z86, benchtop operation	R&S®ZN-ZB26	1328.8911.02
Semi-rigid cable set for R&S®ZNB, 2.92 mm (f) to 2.92 mm (m), 2 or 4 R&S®ZNB ports to R&S®ZN-Z86X, benchtop operation	R&S®ZN-ZB26	1328.8911.03
Semi-rigid cable set for R&S®ZNB, 2.92 mm (f) to 2.92 mm (m), 4 R&S®ZNB ports to 2 units of R&S®ZN-Z86, benchtop operation	R&S®ZN-ZB26	1328.8911.05
Semi-rigid cable set for R&S®ZNB, 2.92 mm (f) to 2.92 mm (m), R&S®ZNB port 1/2/3/4 to R&S®ZN-Z86	R&S®ZN-ZT26	1328.8928.02
Semi-rigid cable set for R&S®ZNB, 2.92 mm (f) to 2.92 mm (m), R&S®ZNB port 1/2/3/4 to R&S®ZN-Z86X	R&S®ZN-ZT26	1328.8928.03
Semi-rigid cable set for R&S®ZNB, 2.92 mm (f) to 2.92 mm (m), R&S®ZNB port 1/2/3/4/5/6/7/8 to R&S®ZN-Z86X	R&S®ZN-ZT26	1328.8928.04
<b>Control cable</b>		
Direct control cable	R&S®ZN-B121	1323.9290.00
<b>Mechanical extensions for usage with R&amp;S®ZNA or R&amp;S®ZNB vector network analyzer</b>		
Mechanical matrix extension, 2 HU, for R&S®ZN-Z86, benchtop operation	R&S®ZN-ZTBE	1351.3906.02
Mechanical matrix extension, 3 HU, for R&S®ZN-Z86X, benchtop operation	R&S®ZN-ZTXBE	1351.3906.03
<b>Rack adapter</b>		
19" rack adapter for R&S®ZN-Z86	R&S®ZZA-KNP21	1177.8803.00
19" rack adapter for R&S®ZN-Z86X	R&S®ZZA-KNP31	1177.8810.00
<b>Tools</b>		
Torque wrench, SMA/PC 3.5/PC 2.92, 90 Ncm	R&S®ZN-ZTW	1328.8534.35
8 mm wrench extension for close connectors	R&S®SMA-WRENCH	1528.1590.02
<b>Documentation</b>		
Documentation of calibration values	R&S®DCV-2	0240.2193.22
Documentation of calibration values, printout	R&S®DCV-ZP	1173.6506.02

<sup>1</sup> Requires R&S®ZN-Z86-B22.

<sup>2</sup> Requires R&S®ZN-Z86-B32.

<sup>3</sup> Requires R&S®ZN-Z86-B24.

<sup>4</sup> Requires R&S®ZN-Z86-B34.



<b>Warranty</b>		
Base unit		3 years
All other items <sup>5</sup>		1 year
<b>Service options</b>		
Extended warranty, one year	R&S®WE1	Contact your local Rohde & Schwarz sales office.
Extended warranty, two years	R&S®WE2	
Extended warranty with calibration coverage, one year	R&S®CW1	
Extended warranty with calibration coverage, two years	R&S®CW2	
Extended warranty with accredited calibration coverage, one year	R&S®AW1	
Extended warranty with accredited calibration coverage, two years	R&S®AW2	

**Extended warranty with a term of one and two years (WE1 and WE2)**

Repairs carried out during the contract term are free of charge <sup>6</sup>. Necessary calibration and adjustments carried out during repairs are also covered.

**Extended warranty with calibration coverage (CW1 and CW2)**

Enhance your extended warranty by adding calibration coverage at a package price. This package ensures that your Rohde & Schwarz product is regularly calibrated, inspected and maintained during the term of the contract. It includes all repairs <sup>6</sup> and calibration at the recommended intervals as well as any calibration carried out during repairs or option upgrades.

**Extended warranty with accredited calibration (AW1 and AW2)**

Enhance your extended warranty by adding accredited calibration coverage at a package price. This package ensures that your Rohde & Schwarz product is regularly calibrated under accreditation, inspected and maintained during the term of the contract. It includes all repairs <sup>6</sup> and accredited calibration at the recommended intervals as well as any accredited calibration carried out during repairs or option upgrades.

<sup>5</sup> For options installed, the remaining base unit warranty applies if longer than 1 year. Exception: all batteries have a 1 year warranty.

<sup>6</sup> Excluding defects caused by incorrect operation or handling and force majeure. Wear-and-tear parts are not included.





**Service at Rohde & Schwarz**  
**You're in great hands**

- ▶ Worldwide
- ▶ Local and personalized
- ▶ Customized and flexible
- ▶ Uncompromising quality
- ▶ Long-term dependability

**Rohde & Schwarz**

The Rohde&Schwarz technology group is among the trail-blazers when it comes to paving the way for a safer and connected world with its leading solutions in test & measurement, technology systems and networks&cybersecurity. Founded more than 85 years ago, the group is a reliable partner for industry and government customers around the globe. The independent company is headquartered in Munich, Germany and has an extensive sales and service network with locations in more than 70 countries.

[www.rohde-schwarz.com](http://www.rohde-schwarz.com)

**Sustainable product design**

- ▶ Environmental compatibility and eco-footprint
- ▶ Energy efficiency and low emissions
- ▶ Longevity and optimized total cost of ownership

Certified Quality Management

**ISO 9001**

Certified Environmental Management

**ISO 14001**

**Rohde & Schwarz training**

[www.training.rohde-schwarz.com](http://www.training.rohde-schwarz.com)

**Rohde & Schwarz customer support**

[www.rohde-schwarz.com/support](http://www.rohde-schwarz.com/support)

